

4

3

2

1

NEXT ASSEMBLY

E.W.O. 2584

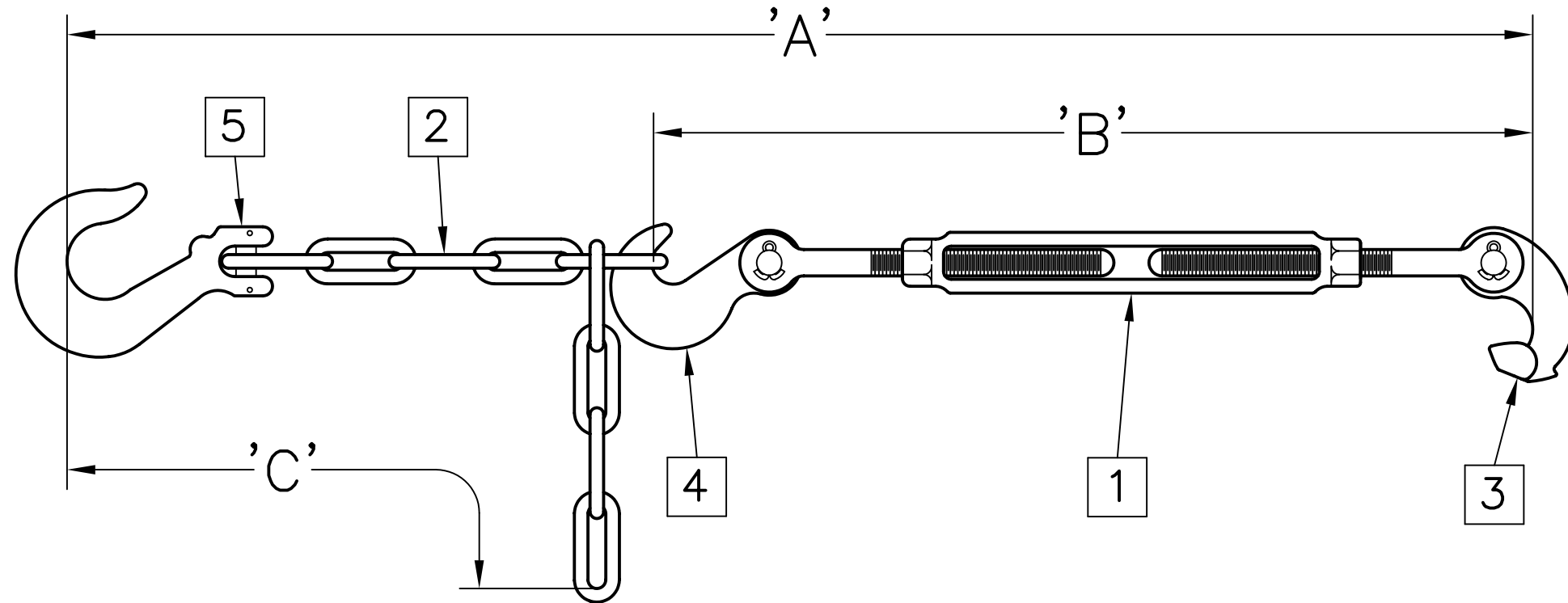
ISSUE

REVISION RECORD

DATE

APPD.

# 35MTB/1631 TIEDOWN ASSEMBLY (VEHICLE)



### SPECIFICATIONS

**MATERIAL:**

ALL CONSTRUCTION IS PER BEST COMMERCIAL QUALITY. SEE CHART FOR SPECIFIC MATERIAL.

**STRENGTH:**

SAFE WORKING—17,500 LBS.  
PROOF—19,250 LBS.  
MINIMUM BREAK—35,000 LBS.

**FINISH:**

ALL SURFACE FINISHES PROVIDE GOOD CORROSION PROTECTION. SEE CHART FOR SPECIFIC FINISH.

**WEIGHT:**

11.1 KGS. [24.5 LBS.]

COMPLETE ASSEMBLY	
MODEL NO.	USEABLE LENGTH 'A'
35MTB/1631	37.25" TO 108.0"

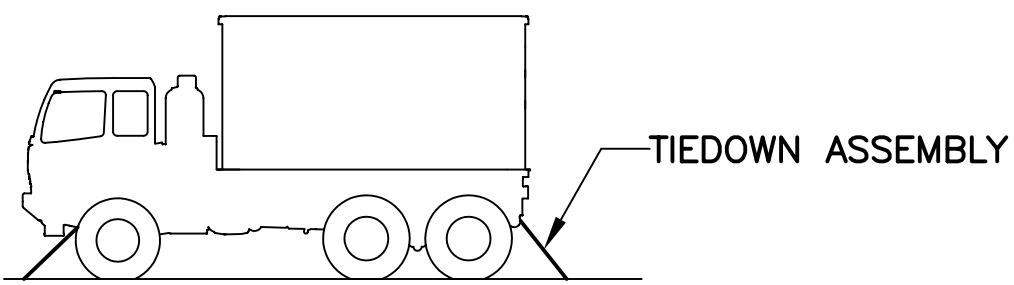
TURNBUCKLE ASSEMBLY	
MODEL NO.	USEABLE LENGTH 'B'
35MTB-1/1631	27.0" TO 39.0"

CHAIN ASSEMBLY	
MODEL NO.	DIM. 'C'
35MTB-2/1631	69.0"

**35MTB/1631  
TIEDOWN ASSEMBLY  
(VEHICLE)**



PECK & HALE  
180 DIVISION AVENUE  
W. SAYVILLE, N.Y. 11796 U.S.A.



APPLICATION

5	HOOK	STEEL, ZINC PLATED
4	HOOK	STEEL, ZINC PLATED
3	HOOK	STEEL, GALVANIZED
2	CHAIN	LONG LINK, STEEL, ZINC PLATED
1	TURNBUCKLE	STEEL, GALVANIZED
ITEM NO.	PART NAME	PART DESCRIPTION

### LIST OF COMPONENTS

THIS DRAWING AND ANY PRINT MADE THEREFROM IS THE EXCLUSIVE PROPERTY OF PECK & HALE. IT MUST NOT BE TRACED NOR REPRODUCED IN ANY MANNER NOR SHALL IT BE SUBMITTED TO OUTSIDE PARTIES FOR EXAMINATION WITHOUT OUR WRITTEN CONSENT. IT SHALL BE USED ONLY AS MEANS OF REFERENCE TO WORK DESIGNED OR FURNISHED BY US.

FSCM No: 94658	DRN: S. JEFFREY	SHEET	OF
DATE: 11/19/12	CHK: J. SZEGLIN	4343	REV.
SCALE: NONE	APPD: J. SZEGLIN		

4

3

2

1