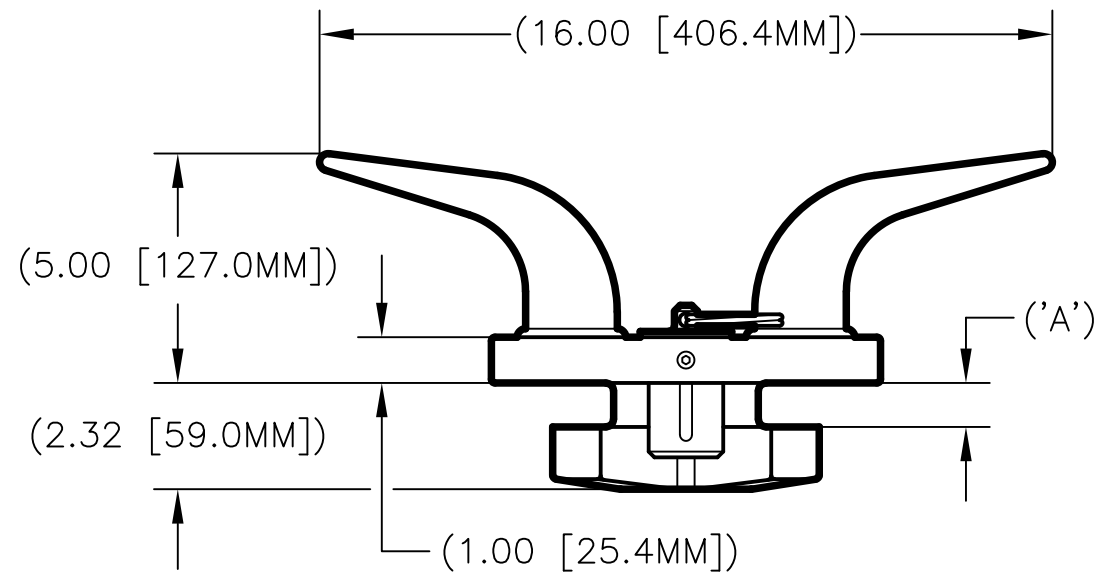
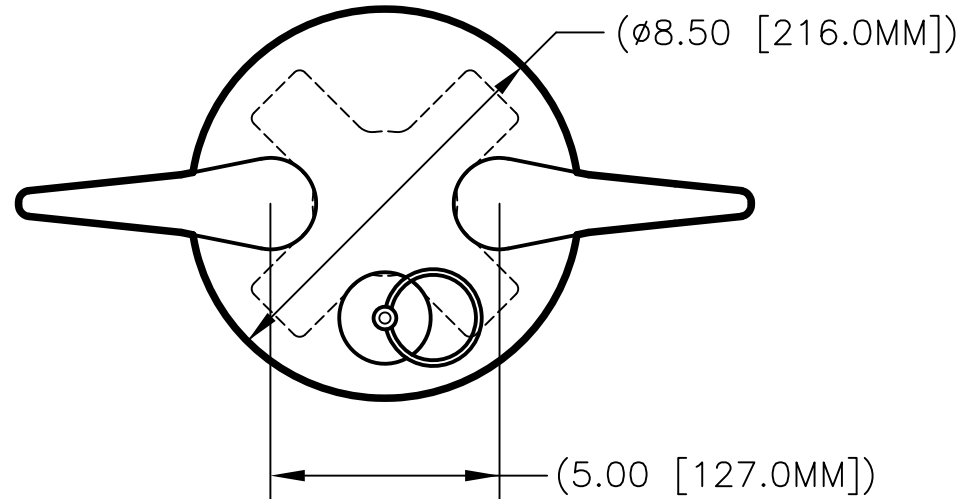
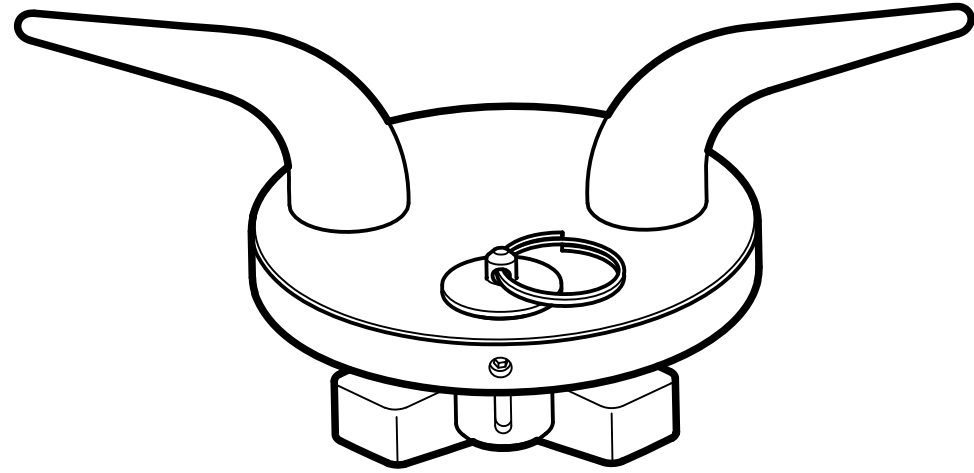


E.W.O. 4311

F1502 CLEAT FITTING (CLOVERLEAF BASE)

DIMENSIONAL DATA
DIMENSIONS SHOWN IN INCHES AND [MILLIMETERS]
DIMENSIONS ARE REFERENCE ONLY



SPECIFICATIONS

MATERIAL:
STEEL

STRENGTH: (HORIZONTAL TO DECK)
SAFE WORKING—4,500 LBS.
PROOF—9,000 LBS.
MINIMUM BREAK—18,000 LBS.

FINISH:
ZINC PRIMER/POWDER COAT
(COLOR—YELLOW)

WEIGHT:
SEE 'WEIGHT' IN CHART

SALES DRAWING

F1502 CLEAT FITTING (CLOVERLEAF BASE)

Peck & Hale[®]
Cargo Securing Systems and Solutions

PECK & HALE, L.L.C.
180 DIVISION AVENUE
WEST SAYVILLE, NY 11796
USA

THIS DRAWING AND ANY PRINT MADE THEREFROM IS THE EXCLUSIVE PROPERTY OF PECK & HALE. IT MUST NOT BE TRACED NOR REPRODUCED IN ANY MANNER NOR SHALL IT BE SUBMITTED TO OUTSIDE PARTIES FOR EXAMINATION WITHOUT OUR WRITTEN CONSENT. IT SHALL BE USED ONLY AS MEANS OF REFERENCE TO WORK DESIGNED OR FURNISHED BY US.

FSCM NO: 94658	DRN: S. JEFFREY	4771	REV.
DATE: 11/23/17	CHK: S. GRAFFIA		
SCALE: NONE	APPD: C. EFSTATHIOU	DWG. NO.	

PART NO.	'A'	WEIGHT
F1502-2-2	.96 [24.4MM]	13.09 KGS. (28.8 LBS.)
F1502-6-1	.88 [22.4MM]	13.20 KGS. (29.1 LBS.)