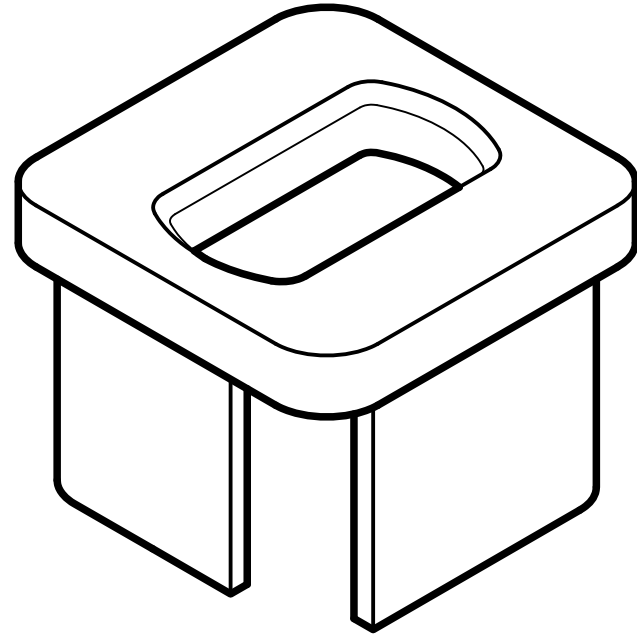
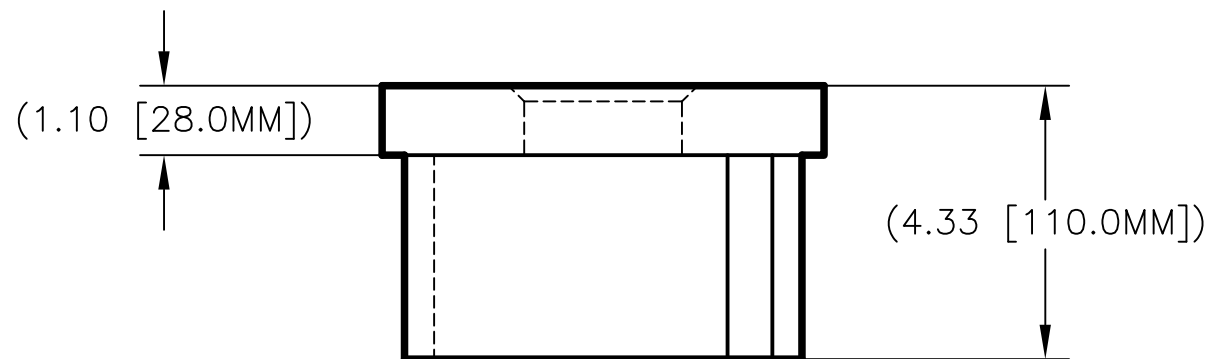
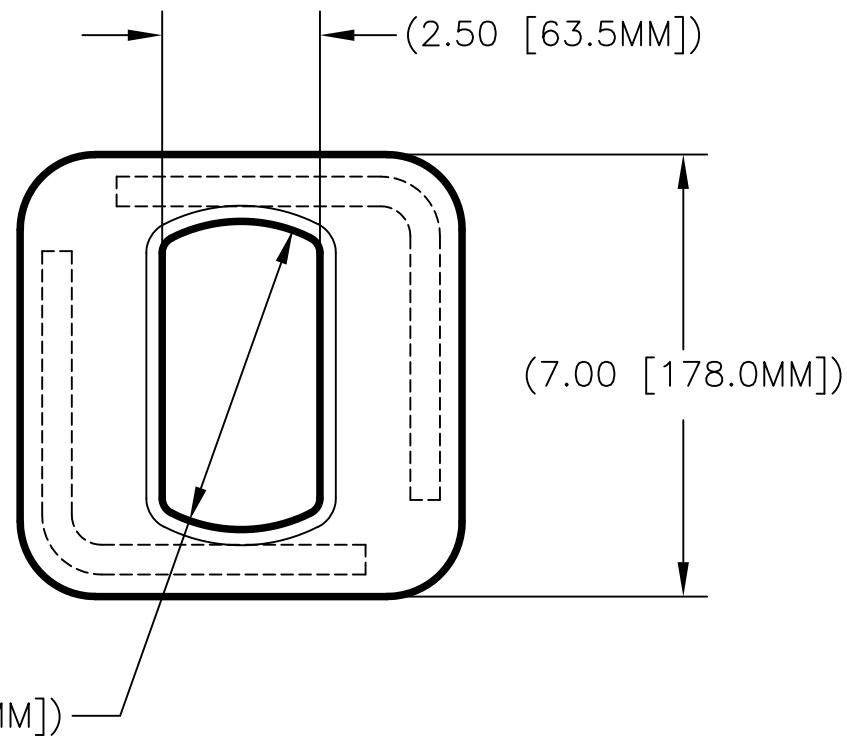


E.W.O. 3238

F2002-1-1 SOCKET (I.S.O.-RAISED-SINGLE)



DIMENSIONAL DATA
DIMENSIONS SHOWN IN INCHES AND [MILLIMETERS]
DIMENSIONS ARE REFERENCE ONLY



SPECIFICATIONS

MATERIAL:
STEEL

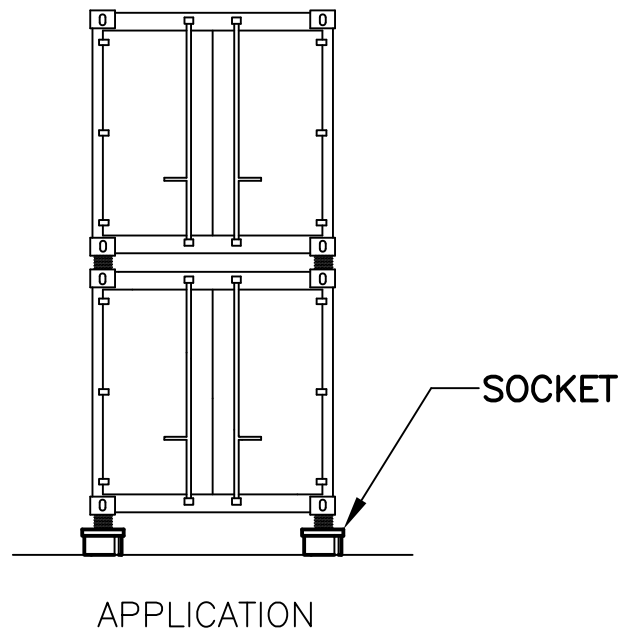
STRENGTH: (TONNES)

	TENSION	SHEAR	COMPRESSION
SAFE WORKING-	25	25	75
PROOF-	37.5	37.5	112.5
MINIMUM BREAK-	50	50	150

FINISH:
PRIMER PAINT

WEIGHT:
9.1 KGS. (20.0 LBS.)

MATING FITTINGS:
F476 & F633 TWISTLOCK
F483 'D'-RING



F2002-1-1 SOCKET (I.S.O.-RAISED-SINGLE)

Peck & Hale[®]
Cargo Securing Systems and Solutions

PECK & HALE, L.L.C.
180 DIVISION AVENUE
WEST SAYVILLE, NY 11796
USA

THIS DRAWING AND ANY PRINT MADE THEREFROM IS THE EXCLUSIVE PROPERTY OF PECK & HALE. IT MUST NOT BE TRACED NOR REPRODUCED IN ANY MANNER NOR SHALL IT BE SUBMITTED TO OUTSIDE PARTIES FOR EXAMINATION WITHOUT OUR WRITTEN CONSENT. IT SHALL BE USED ONLY AS MEANS OF REFERENCE TO WORK DESIGNED OR FURNISHED BY US.

FSCM NO: 94658	DRN: S. JEFFREY	4611	A
DATE: 12/6/12	CHK: J. SZEGLIN		
SCALE: NONE	APPD: J. SZEGLIN	DWG. NO.	REV.