

4

5

2

1

NEXT ASSEMBLY

E.W.O. 3290

ISSUE

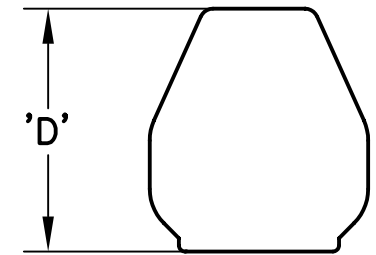
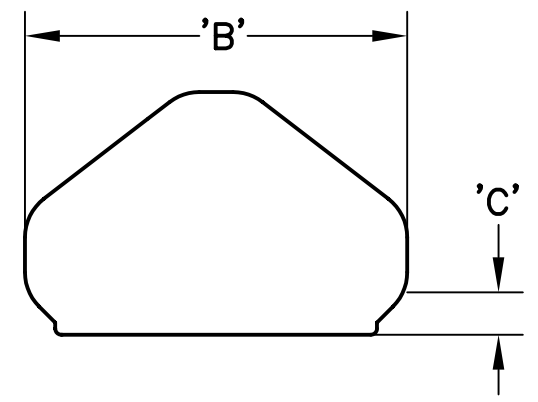
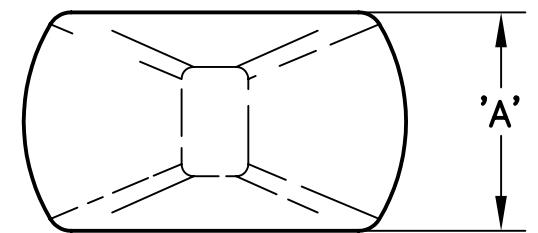
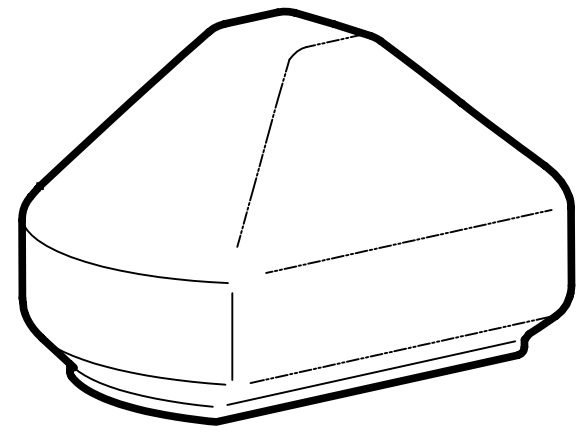
REVISION RECORD

DATE

APPD.

F267-2 LOCATING CONE

DIMENSIONAL DATA
COMMERCIAL TOLERANCE APPLIES



SPECIFICATIONS

MATERIAL:
STEEL

STRENGTH:
MINIMUM BREAK-65 TONNES

FINISH:
SELF COLOR

WEIGHT:
1.5 KGS. [3.4 LBS.]

F267-2 LOCATING CONE

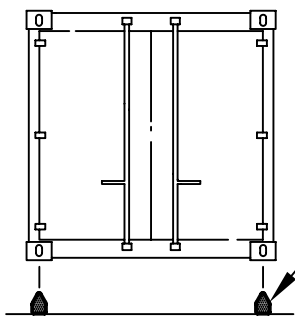


PECK & HALE
180 DIVISION AVENUE
W. SAYVILLE, N.Y. 11796 U.S.A.

THIS DRAWING AND ANY PRINT MADE THEREFROM IS THE EXCLUSIVE PROPERTY OF PECK & HALE, IT MUST NOT BE TRACED NOR REPRODUCED IN ANY MANNER NOR SHALL IT BE SUBMITTED TO OUTSIDE PARTIES FOR EXAMINATION WITHOUT OUR WRITTEN CONSENT. IT SHALL BE USED ONLY AS MEANS OF REFERENCE TO WORK DESIGNED OR FURNISHED BY US.

FSCM No: 94658	DRN: S. JEFFREY	SHEET	OF
DATE: 11/7/12	CHK: J. SZEGLIN	3539 DWG. NO.	
SCALE: NONE	APPD: J. SZEGLIN		

MODEL NO.	DIM.	'A'	'B'	'C'	'D'
F267-2	MM	57.2	100.0	11.1	63.5
	(INCH)	(2.25)	(3.94)	(0.44)	(2.50)



LOCATING CONE

APPLICATION

4

3

2

1