

# F463-2R-1 & -2L-1 CORNER CASTING (BOTTOM-RIGHT & LEFT HAND)

DIMENSIONAL DATA  
DIMENSIONS SHOWN IN INCHES AND [MILLIMETERS]  
DIMENSIONS ARE REFERENCE ONLY

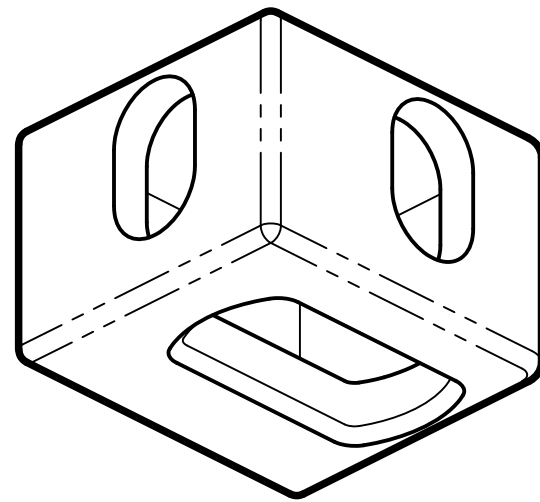
## SPECIFICATIONS

**MATERIAL:**  
STEEL

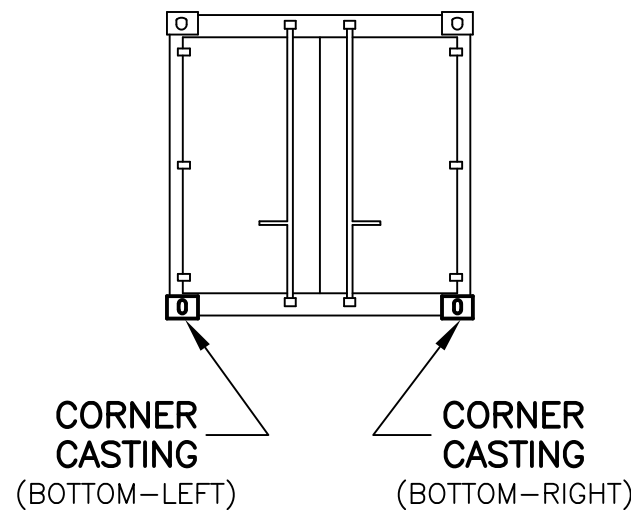
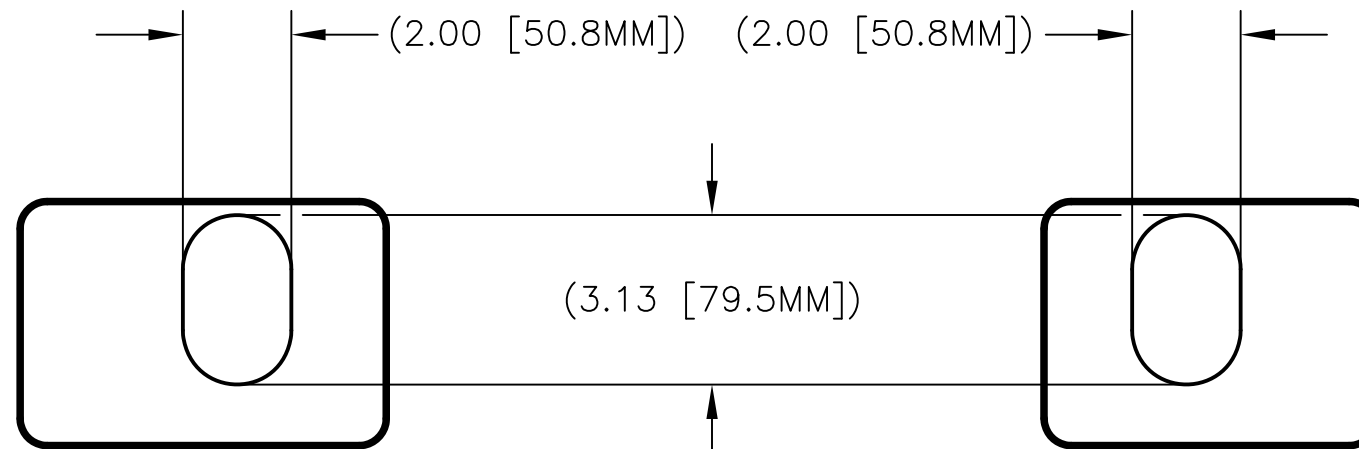
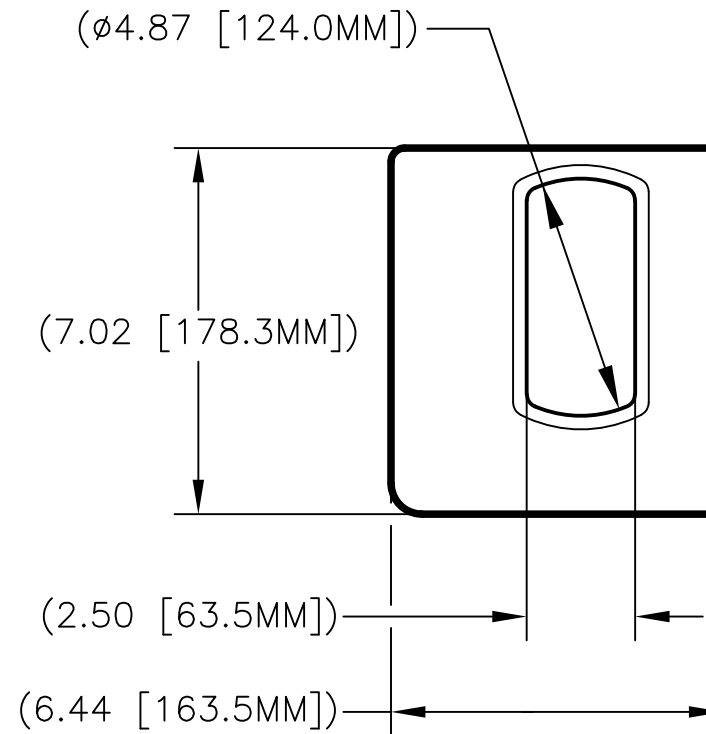
**STRENGTH:**  
MEETS I.S.O. STANDARD 1161

**FINISH:**  
SELF COLOR

**WEIGHT:**  
11.7 KGS. (25.7 LBS.)



F463-2R-1 RIGHT HAND—SHOWN  
F463-2L-1 LEFT HAND—OPPOSITE



APPLICATION

F463-2R-1 & -2L-1  
CORNER CASTING  
(BOTTOM-RIGHT & LEFT HAND)

**Peck & Hale**<sup>®</sup>  
Cargo Securing Systems and Solutions

PECK & HALE, L.L.C.  
180 DIVISION AVENUE  
WEST SAYVILLE, NY 11796  
USA

THIS DRAWING AND ANY PRINT MADE THEREFROM IS THE EXCLUSIVE PROPERTY OF PECK & HALE. IT MUST NOT BE TRACED NOR REPRODUCED IN ANY MANNER NOR SHALL IT BE SUBMITTED TO OUTSIDE PARTIES FOR EXAMINATION WITHOUT OUR WRITTEN CONSENT. IT SHALL BE USED ONLY AS MEANS OF REFERENCE TO WORK DESIGNED OR FURNISHED BY US.

FSCM NO: 94658	DRN: S. JEFFREY	2023	A
DATE: 11/6/12	CHK: J. SZEGLIN		
SCALE: NONE	APPD: J. SZEGLIN	DWG. NO.	REV.