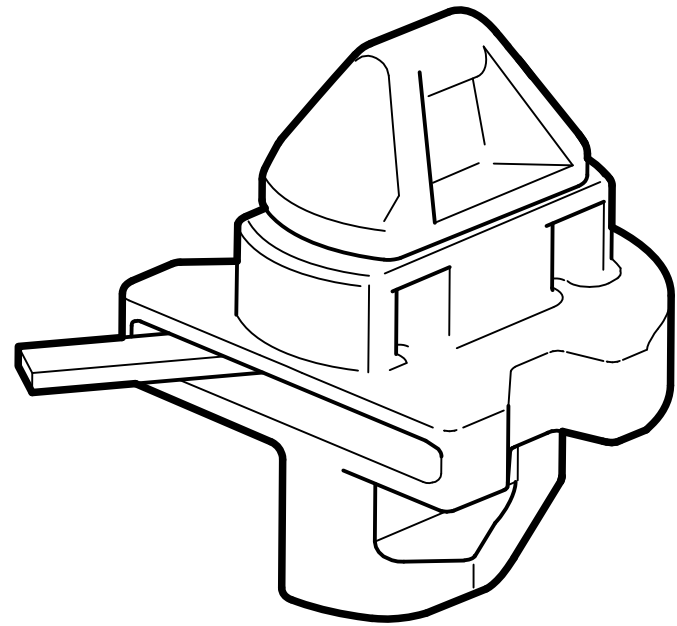
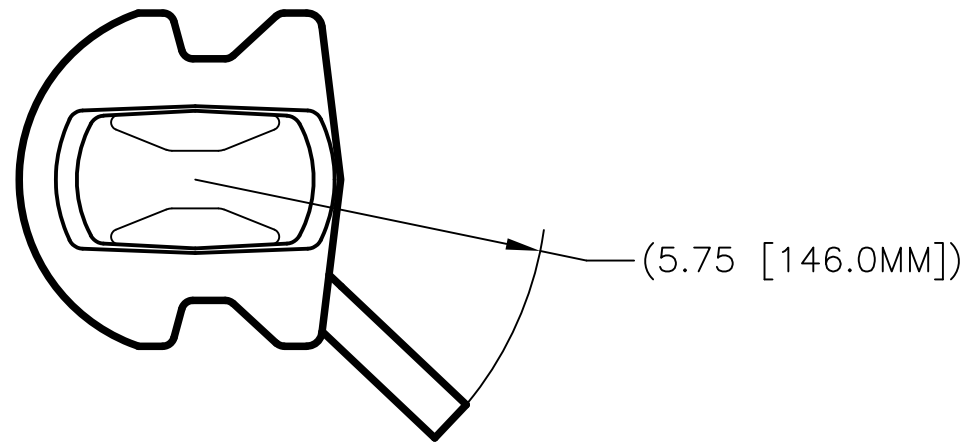


R.T.E. 1422

F476-R-C TWISTLOCK (STACKER-FIXED BASE)



DIMENSIONAL DATA
DIMENSIONS SHOWN IN INCHES AND [MILLIMETERS]
DIMENSIONS ARE REFERENCE ONLY



SPECIFICATIONS

MATERIAL:
STEEL

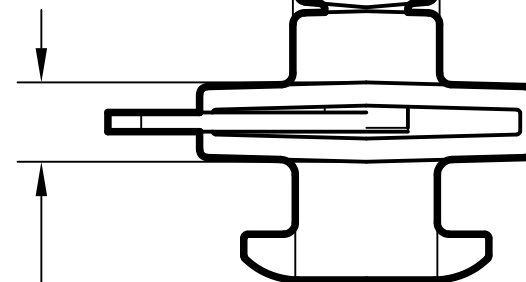
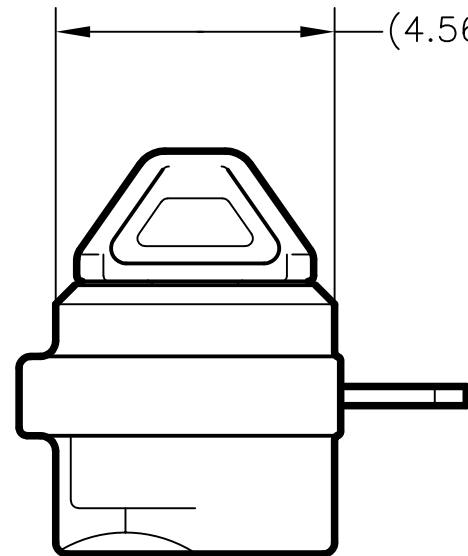
STRENGTH: (MINIMUM BREAK)
TENSION-34 TONNES
SHEAR-48 TONNES
COMPRESSION-150 TONNES

FINISH:
GALVANIZED

WEIGHT:
6.7 KGS. (14.8 LBS.)

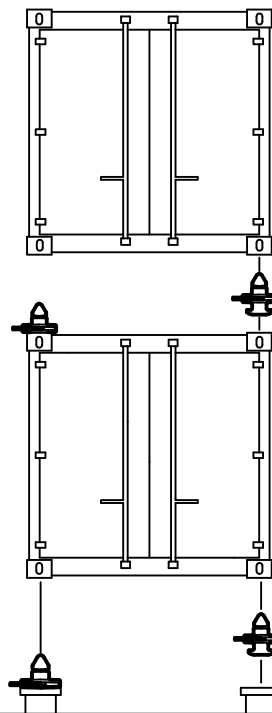
(2.40 [61.0MM])

(4.56 [115.9MM])



(1.15 [29.3MM])

(2.32 [59.0MM])



TWISTLOCK

APPLICATION

F476-R-C TWISTLOCK (STACKER-FIXED BASE)

Peck & Hale[®]
Cargo Securing Systems and Solutions

PECK & HALE, L.L.C.
180 DIVISION AVENUE
WEST SAYVILLE, NY 11796
USA

THIS DRAWING AND ANY PRINT MADE THEREFROM IS THE EXCLUSIVE PROPERTY OF PECK & HALE. IT MUST NOT BE TRACED NOR REPRODUCED IN ANY MANNER NOR SHALL IT BE SUBMITTED TO OUTSIDE PARTIES FOR EXAMINATION WITHOUT OUR WRITTEN CONSENT. IT SHALL BE USED ONLY AS MEANS OF REFERENCE TO WORK DESIGNED OR FURNISHED BY US.

FSCM NO: 94658	DRN: S. JEFFREY
DATE: 11/6/12	CHK: J. SZEGLIN
SCALE: NONE	APPD: J. SZEGLIN

3531

DWG. NO.

A

REV.