

F483-4 'D'-RING (I.S.O. BASE)

DIMENSIONAL DATA
DIMENSIONS SHOWN IN INCHES AND [MILLIMETERS]
DIMENSIONS ARE REFERENCE ONLY

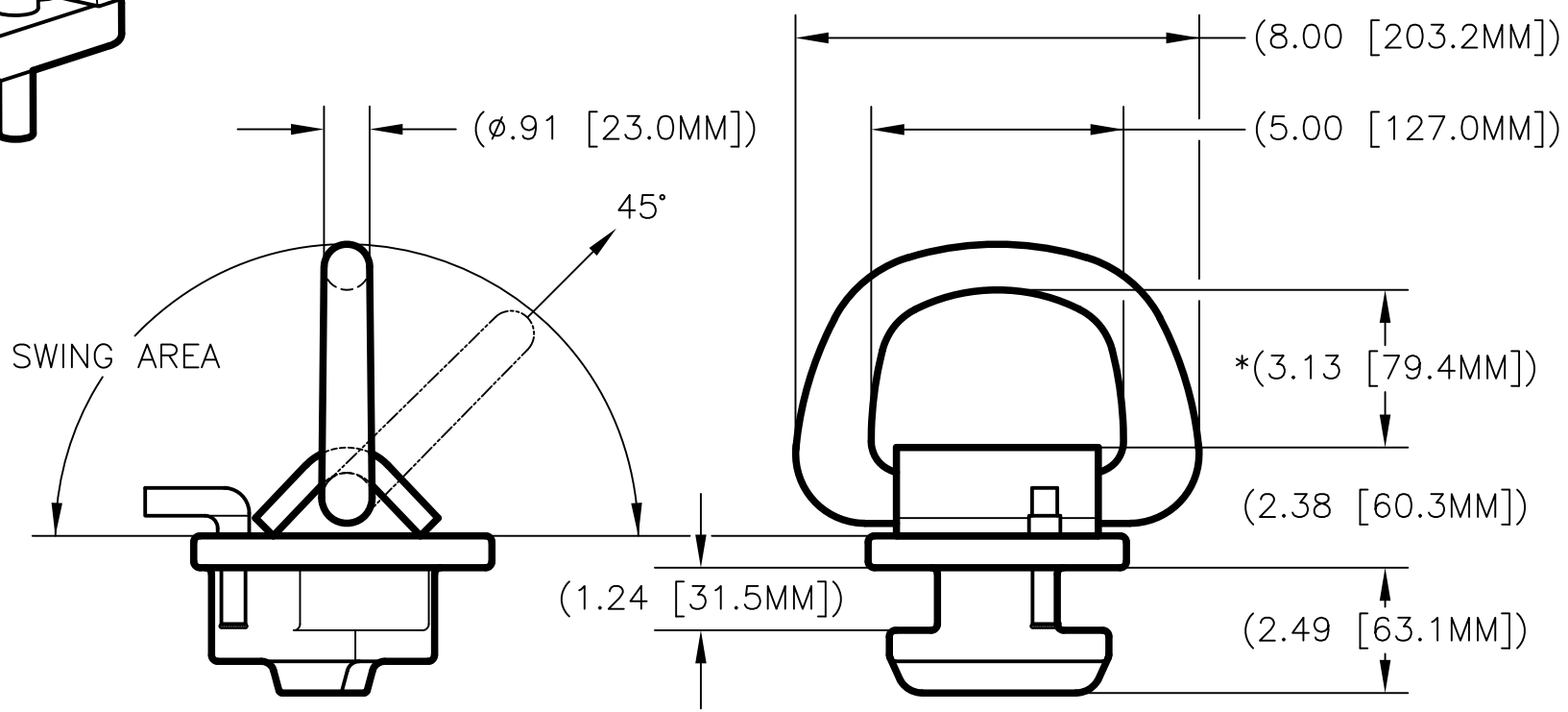
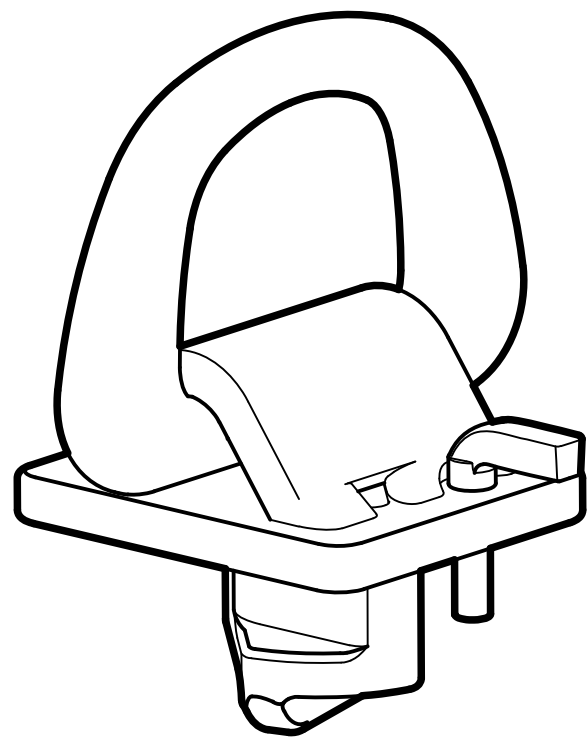
SPECIFICATIONS

MATERIAL:
STEEL

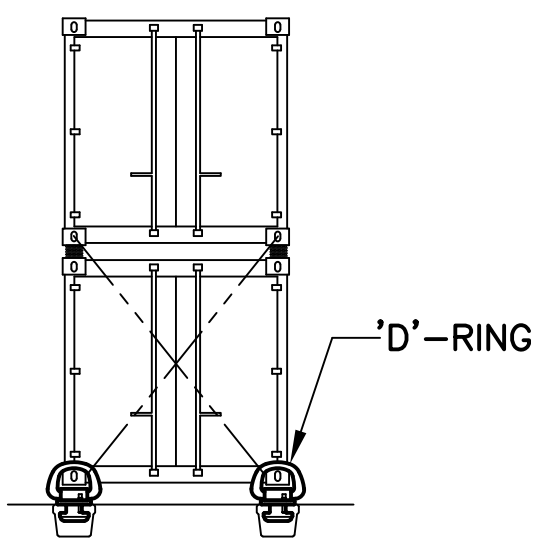
STRENGTH: (PULL AT 45°)
SAFE WORKING-18 TONNES
PROOF-20 TONNES
MINIMUM BREAK-36.3 TONNES

FINISH:
GALVANIZED

WEIGHT:
7.6 KGS. (16.7 LBS.)



*DIMENSION IS WITH 'D'-RING IN TENSION



APPLICATION

SALES DRAWING

F483-4
'D'-RING
(I.S.O. BASE)



PECK & HALE, L.L.C.
180 DIVISION AVENUE
WEST SAYVILLE, NY 11796
USA

THIS DRAWING AND ANY PRINT MADE THEREFROM IS THE EXCLUSIVE PROPERTY OF PECK & HALE. IT MUST NOT BE TRACED NOR REPRODUCED IN ANY MANNER NOR SHALL IT BE SUBMITTED TO OUTSIDE PARTIES FOR EXAMINATION WITHOUT OUR WRITTEN CONSENT. IT SHALL BE USED ONLY AS MEANS OF REFERENCE TO WORK DESIGNED OR FURNISHED BY US.

FSCM NO: 94658	DRN: S. JEFFREY	2122	A
DATE: 11/6/12	CHK: L. MESZAROS		
SCALE: NONE	APPD: L. MESZAROS	DWG. NO.	REV.