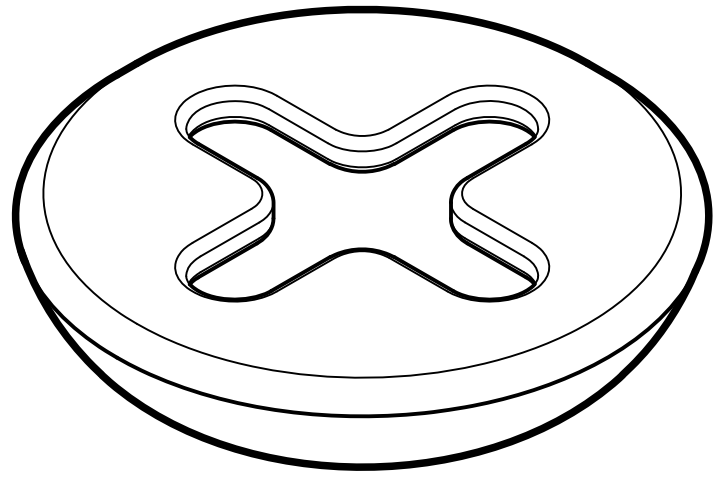
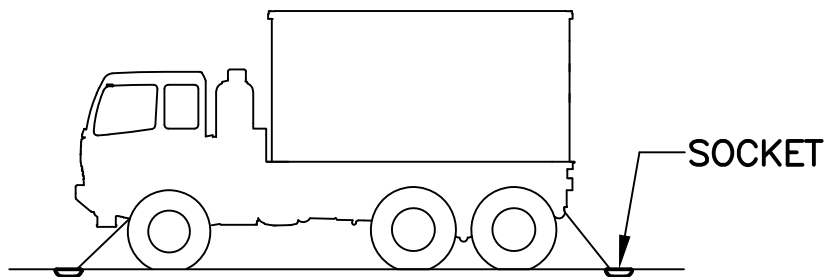
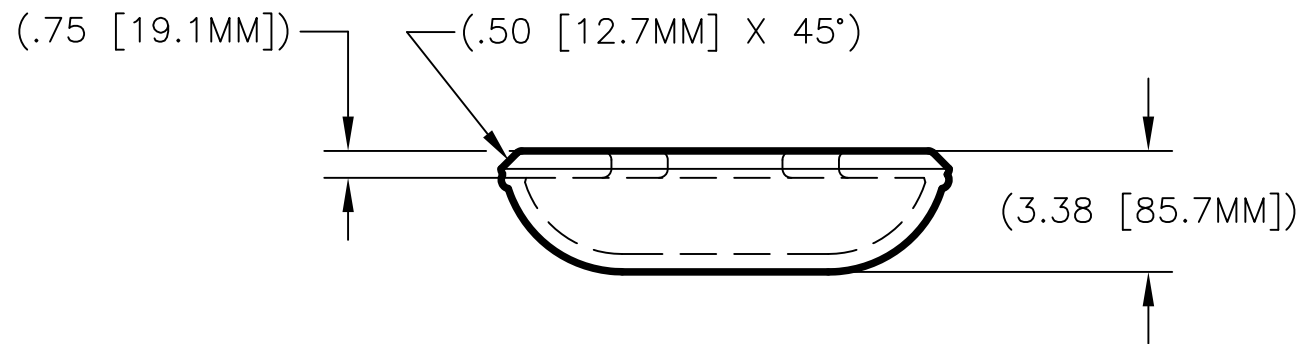
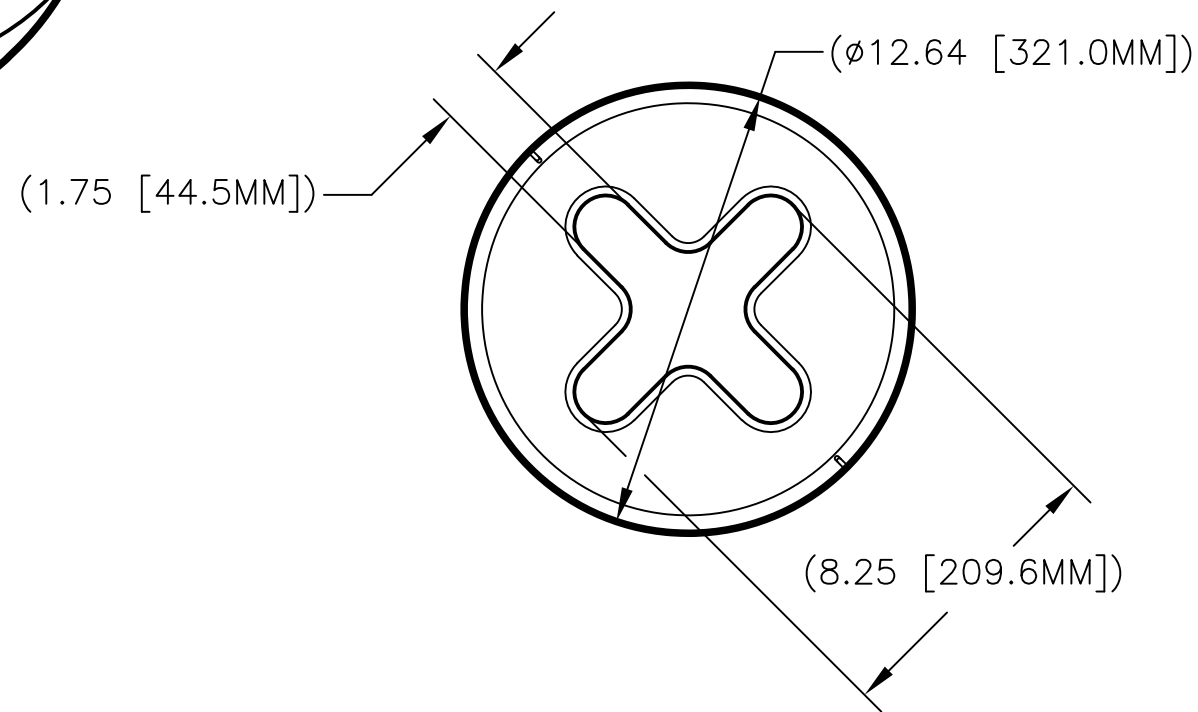


R.T.E. 1361

F518-1K SOCKET (CLOVERLEAF-FLUSH)



DIMENSIONAL DATA
DIMENSIONS SHOWN IN INCHES AND [MILLIMETERS]
DIMENSIONS ARE REFERENCE ONLY



APPLICATION

SPECIFICATIONS

MATERIAL:
STEEL (EH36)

STRENGTH: (PULL AT 45°)
SAFE WORKING-35,000 LBS.
PROOF-38,500 LBS.
MINIMUM BREAK-70,000 LBS.

FINISH:
SELF COLOR

WEIGHT:
18.5 KGS. (40.7 LBS.)

MATING FITTINGS:
F518-10 & PH4241-1 COVER
F1502 CLEAT
PH3950 PADEYE
PH3951 BITT

F518-1K SOCKET (CLOVERLEAF-FLUSH)

Peck & Hale®
Cargo Securing Systems and Solutions

PECK & HALE, L.L.C.
180 DIVISION AVENUE
WEST SAYVILLE, NY 11796
USA

THIS DRAWING AND ANY PRINT MADE THEREFROM IS THE EXCLUSIVE PROPERTY OF PECK & HALE. IT MUST NOT BE TRACED NOR REPRODUCED IN ANY MANNER NOR SHALL IT BE SUBMITTED TO OUTSIDE PARTIES FOR EXAMINATION WITHOUT OUR WRITTEN CONSENT. IT SHALL BE USED ONLY AS MEANS OF REFERENCE TO WORK DESIGNED OR FURNISHED BY US.

FSCM NO: 94658 DRN: S. JEFFREY
DATE: 11/6/12 CHK: J. NAIR
SCALE: NONE APPD: J. NAIR

3388

DWG. NO.

A

REV.