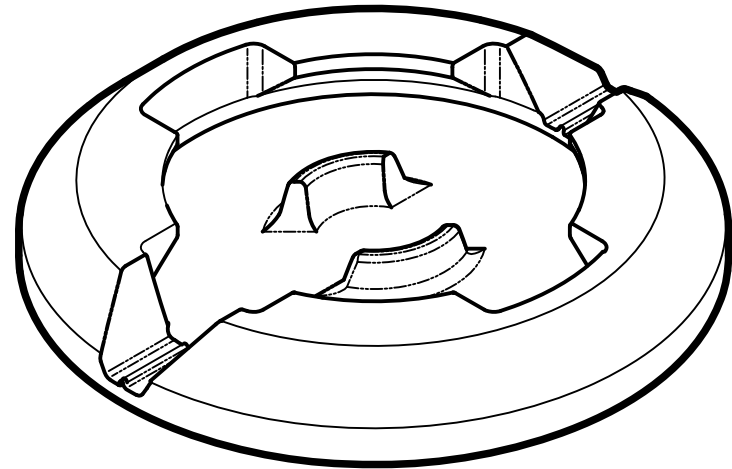
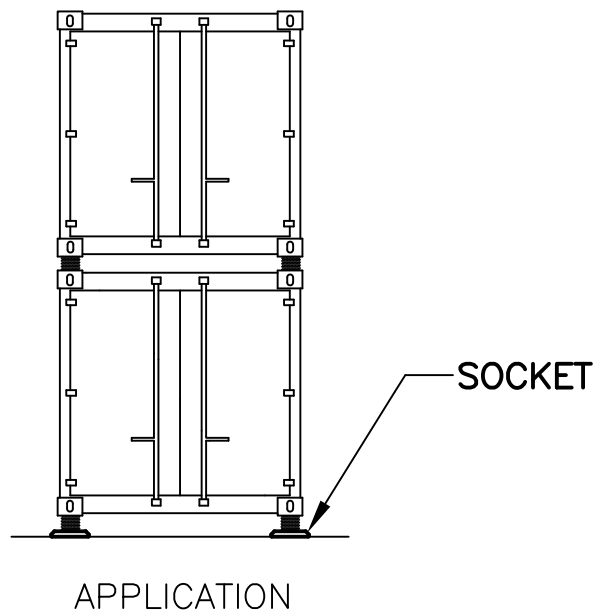
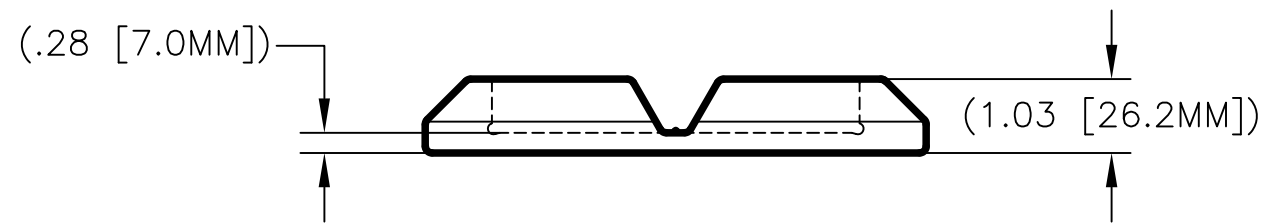
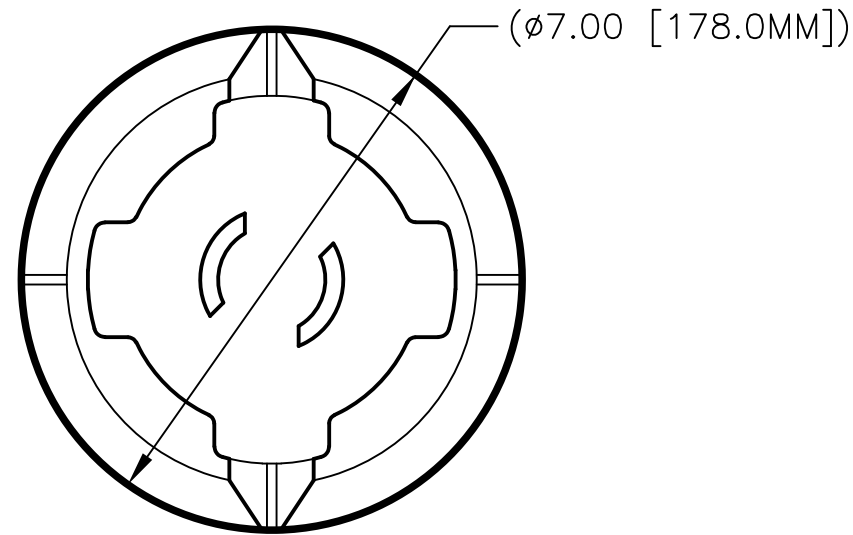


E.W.O. 3238

F655-1-0A SOCKET (BREECH BASE-RAISED-SINGLE)



DIMENSIONAL DATA
DIMENSIONS SHOWN IN INCHES AND [MILLIMETERS]
DIMENSIONS ARE REFERENCE ONLY



SPECIFICATIONS

MATERIAL:
STEEL

STRENGTH: (TONNES)

	TENSION	SHEAR	COMPRESSION
SAFE WORKING-	25	25	75
PROOF-	37.5	37.5	112.5
MINIMUM BREAK-	50	50	150

FINISH:
PRIMER PAINT

WEIGHT:
3.0 KGS. (6.6 LBS.)

MATING FITTINGS:
F700-10-1 COVER
F656 TWISTLOCK
F678 'D'-RING

F655-1-0A SOCKET (BREECH BASE-RAISED-SINGLE)

Peck & Hale[®]
Cargo Securing Systems and Solutions

PECK & HALE, L.L.C.
180 DIVISION AVENUE
WEST SAYVILLE, NY 11796
USA

THIS DRAWING AND ANY PRINT MADE THEREFROM IS THE EXCLUSIVE PROPERTY OF PECK & HALE. IT MUST NOT BE TRACED NOR REPRODUCED IN ANY MANNER NOR SHALL IT BE SUBMITTED TO OUTSIDE PARTIES FOR EXAMINATION WITHOUT OUR WRITTEN CONSENT. IT SHALL BE USED ONLY AS MEANS OF REFERENCE TO WORK DESIGNED OR FURNISHED BY US.

FSCM NO: 94658	DRN: S. JEFFREY	3541	A
DATE: 11/7/12	CHK: J. SZEGLIN		
SCALE: NONE	APPD: J. SZEGLIN	DWG. NO.	REV.