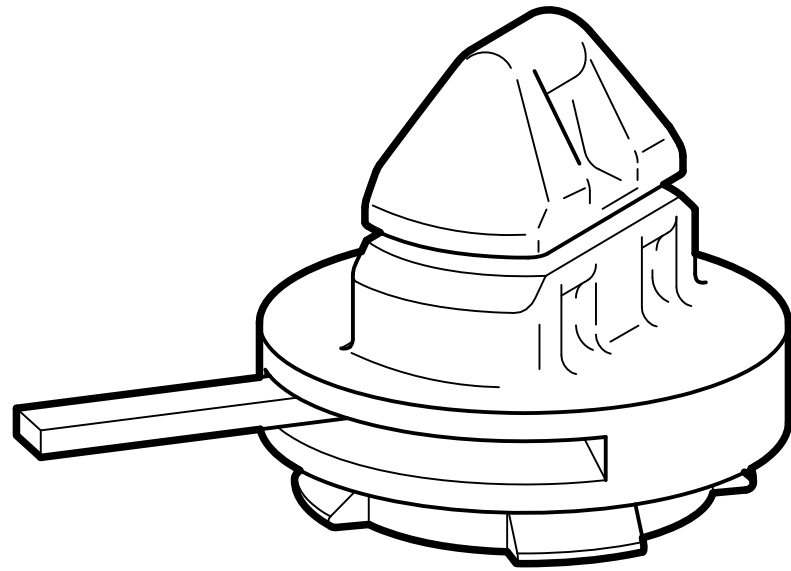
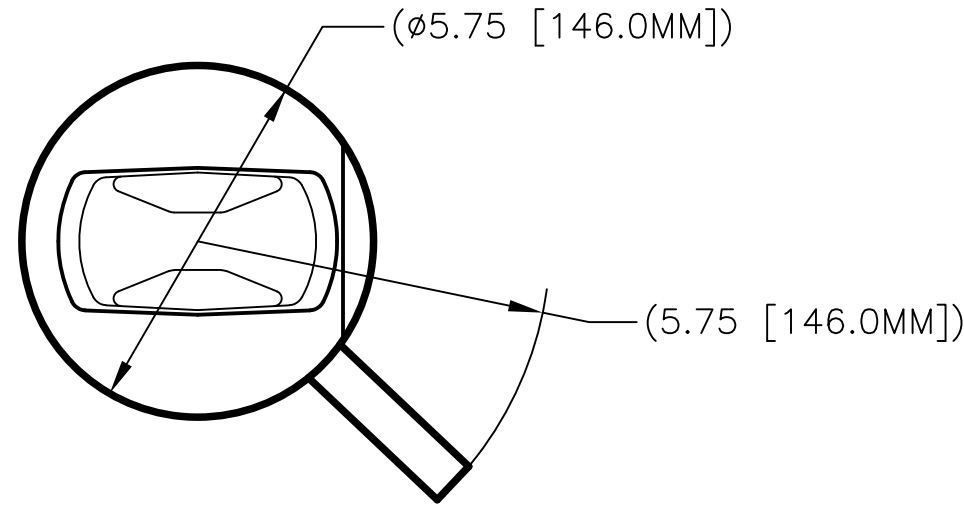


R.T.E. 1422

F656-R-C TWISTLOCK (STACKER-BREECH BASE)



DIMENSIONAL DATA
DIMENSIONS SHOWN IN INCHES AND [MILLIMETERS]
DIMENSIONS ARE REFERENCE ONLY



SPECIFICATIONS

MATERIAL:
STEEL

STRENGTH: (MINIMUM BREAK)
TENSION-34 TONNES
SHEAR-45 TONNES
COMPRESSION-100 TONNES

FINISH:
GALVANIZED

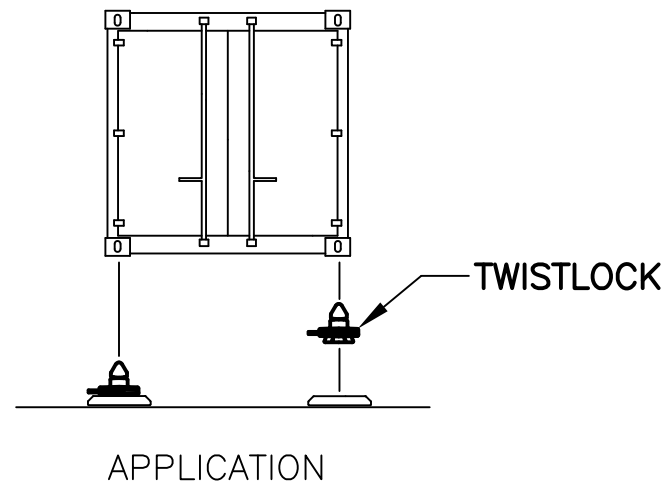
WEIGHT:
6.2 KGS. (13.6 LBS.)

MATING FITTINGS:
F655 & F700 SOCKET

(2.36 [60.0MM])

(4.33 [110.0MM])

(1.15 [29.3MM])



F656-R-C TWISTLOCK (STACKER-BREECH BASE)

Peck & Hale®
Cargo Securing Systems and Solutions

PECK & HALE, L.L.C.
180 DIVISION AVENUE
WEST SAYVILLE, NY 11796
USA

THIS DRAWING AND ANY PRINT MADE THEREFROM IS THE EXCLUSIVE PROPERTY OF PECK & HALE. IT MUST NOT BE TRACED NOR REPRODUCED IN ANY MANNER NOR SHALL IT BE SUBMITTED TO OUTSIDE PARTIES FOR EXAMINATION WITHOUT OUR WRITTEN CONSENT. IT SHALL BE USED ONLY AS MEANS OF REFERENCE TO WORK DESIGNED OR FURNISHED BY US.

FSCM NO: 94658	DRN: S. JEFFREY	3546	A
DATE: 11/7/12	CHK: J. NAIR		
SCALE: NONE	APPD: J. NAIR	DWG. NO.	REV.