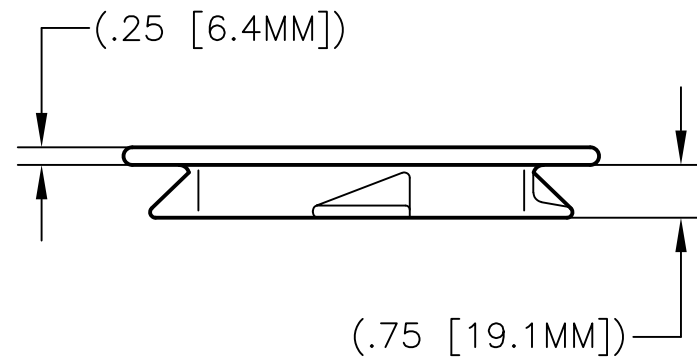
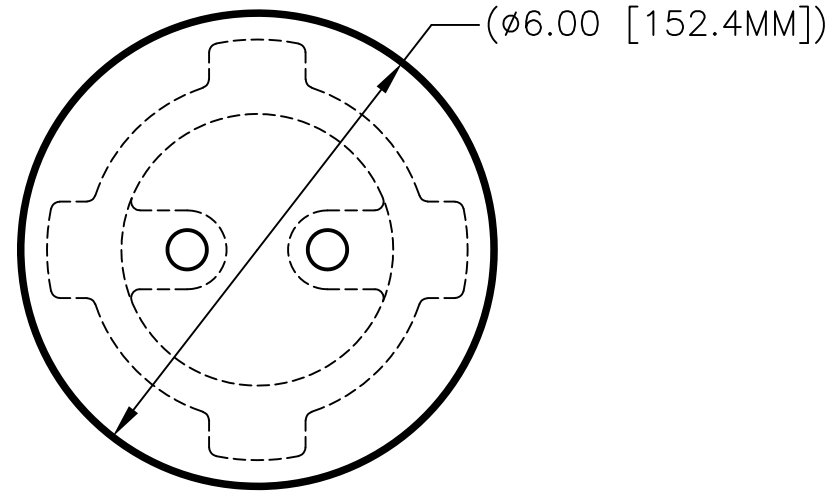
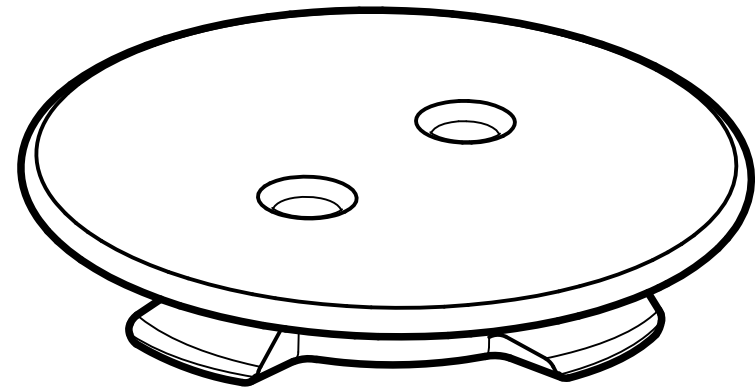


F700-10-1
COVER
(F655 & F700 SOCKET)

DIMENSIONAL DATA
DIMENSIONS SHOWN IN INCHES AND [MILLIMETERS]
DIMENSIONS ARE REFERENCE ONLY



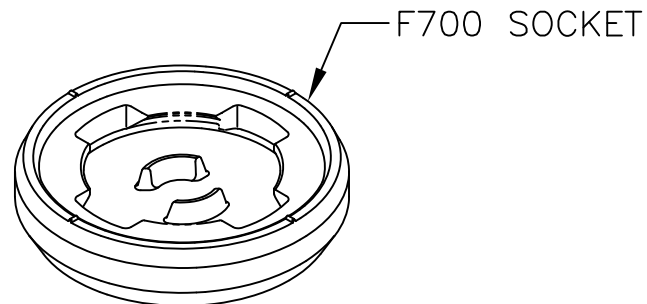
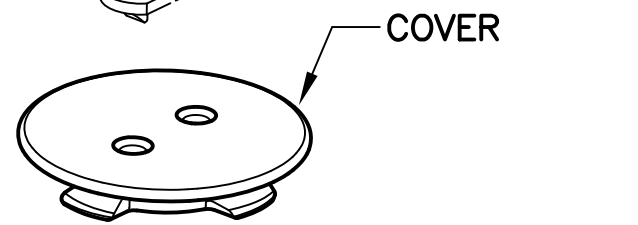
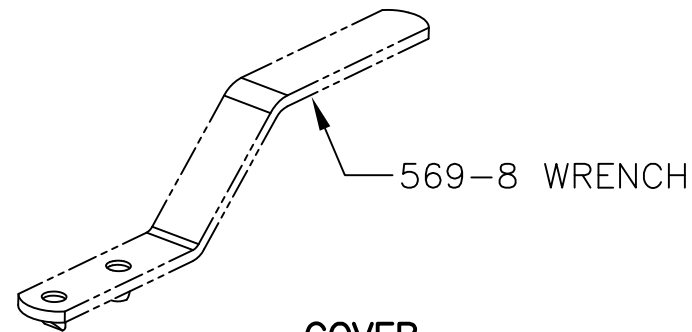
SPECIFICATIONS

MATERIAL:
STEEL

FINISH:
GALVANIZED

WEIGHT:
1.8 KGS. (4.0 LBS.)

MATING FITTINGS:
F655 & F700 SOCKET
569-8 WRENCH



APPLICATION

F700-10-1
COVER
(F655 & F700 SOCKET)

Peck & Hale® PECK & HALE, L.L.C.
180 DIVISION AVENUE
WEST SAYVILLE, NY 11796
USA

THIS DRAWING AND ANY PRINT MADE THEREFROM IS THE EXCLUSIVE PROPERTY OF PECK & HALE. IT MUST NOT BE TRACED NOR REPRODUCED IN ANY MANNER NOR SHALL IT BE SUBMITTED TO OUTSIDE PARTIES FOR EXAMINATION WITHOUT OUR WRITTEN CONSENT. IT SHALL BE USED ONLY AS MEANS OF REFERENCE TO WORK DESIGNED OR FURNISHED BY US.

FSCM NO: 94658	DRN: S. JEFFREY	3795	A
DATE: 11/5/12	CHK: J. SZEGLIN		
SCALE: NONE	APPD: J. SZEGLIN	DWG. NO.	REV.