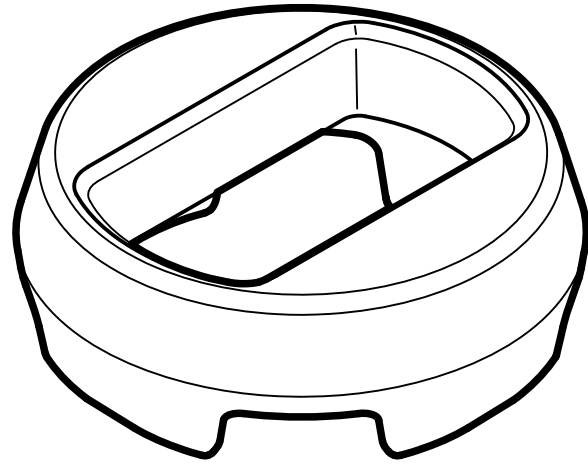
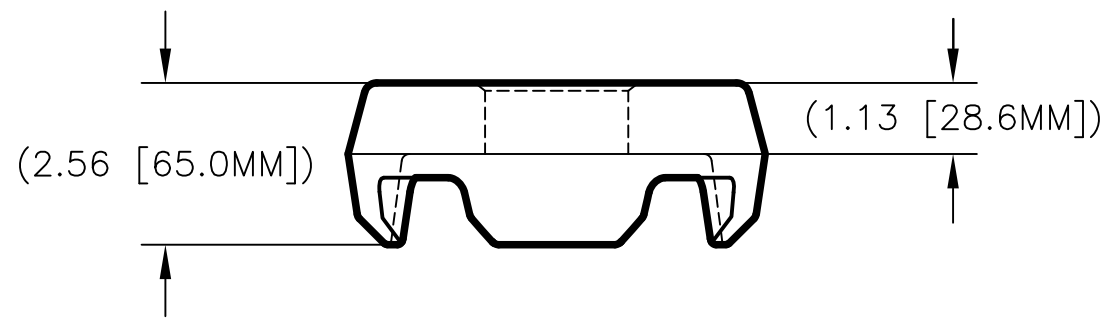
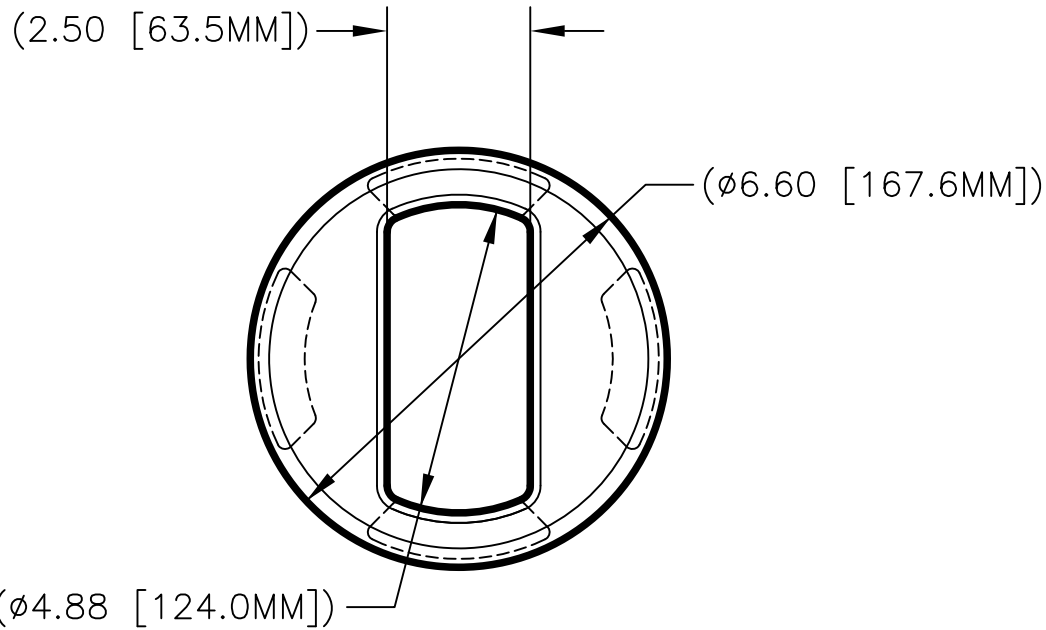


E.W.O. 3261

F771-1-0A SOCKET (I.S.O.-RAISED-SINGLE)



DIMENSIONAL DATA
DIMENSIONS SHOWN IN INCHES AND [MILLIMETERS]
DIMENSIONS ARE REFERENCE ONLY



SPECIFICATIONS

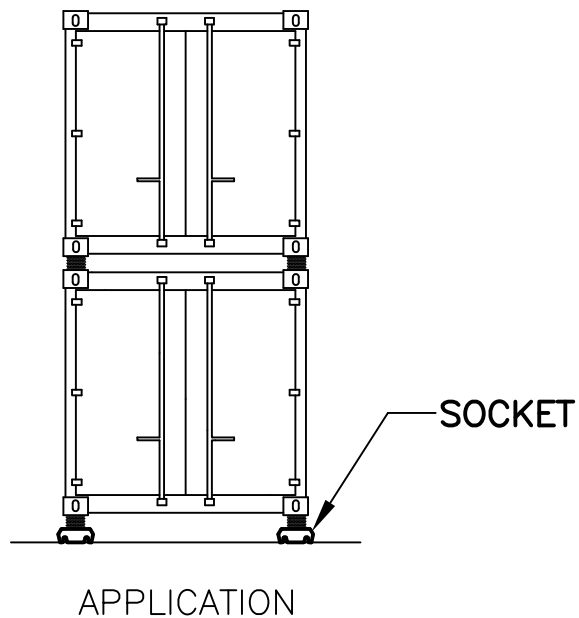
MATERIAL:
STEEL

STRENGTH: (TONNES)	TENSION	SHEAR	COMPRESSION
	SAFE WORKING-25	25	75
PROOF-37.5	37.5	112.5	112.5
MINIMUM BREAK-50	50	150	150

FINISH:
SELF COLOR

WEIGHT:
3.6 KGS. (8.0 LBS.)

MATING FITTINGS:
F476 & F633 TWISTLOCK
F483 'D'-RING



F771-1-0A SOCKET (I.S.O.-RAISED-SINGLE)

Peck & Hale[®]
Cargo Securing Systems and Solutions

PECK & HALE, L.L.C.
180 DIVISION AVENUE
WEST SAYVILLE, NY 11796
USA

THIS DRAWING AND ANY PRINT MADE THEREFROM IS THE EXCLUSIVE PROPERTY OF PECK & HALE. IT MUST NOT BE TRACED NOR REPRODUCED IN ANY MANNER NOR SHALL IT BE SUBMITTED TO OUTSIDE PARTIES FOR EXAMINATION WITHOUT OUR WRITTEN CONSENT. IT SHALL BE USED ONLY AS MEANS OF REFERENCE TO WORK DESIGNED OR FURNISHED BY US.

FSCM NO: 94658	DRN: S. JEFFREY	3483	A
DATE: 11/6/12	CHK:		
SCALE: NONE	APPD:	DWG. NO.	REV.