

4

3

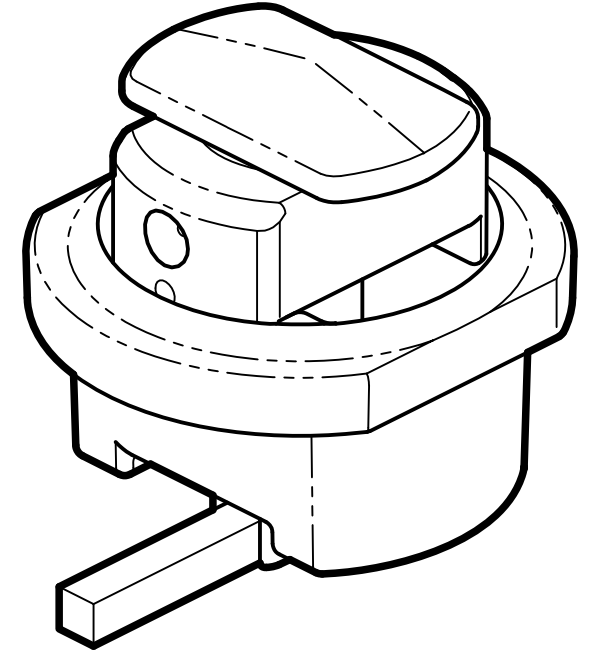
2

1

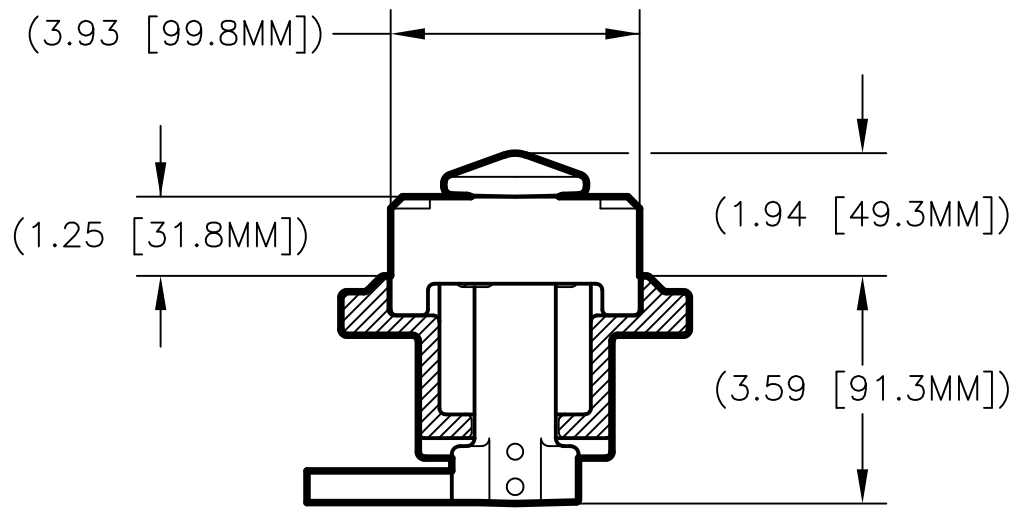
F804-1-3

TWISTLOCK

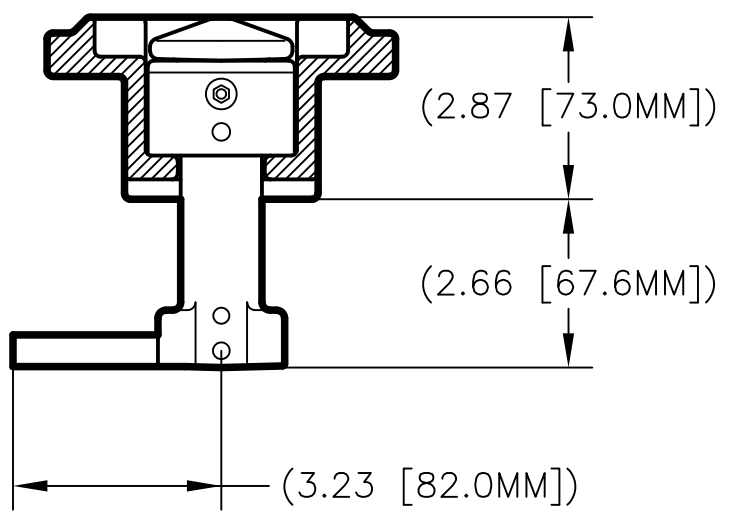
(TRAILER-LOW PROFILE-RETRACTABLE)



DIMENSIONAL DATA
 DIMENSIONS SHOWN IN INCHES AND [MILLIMETERS]
 DIMENSIONS ARE REFERENCE ONLY



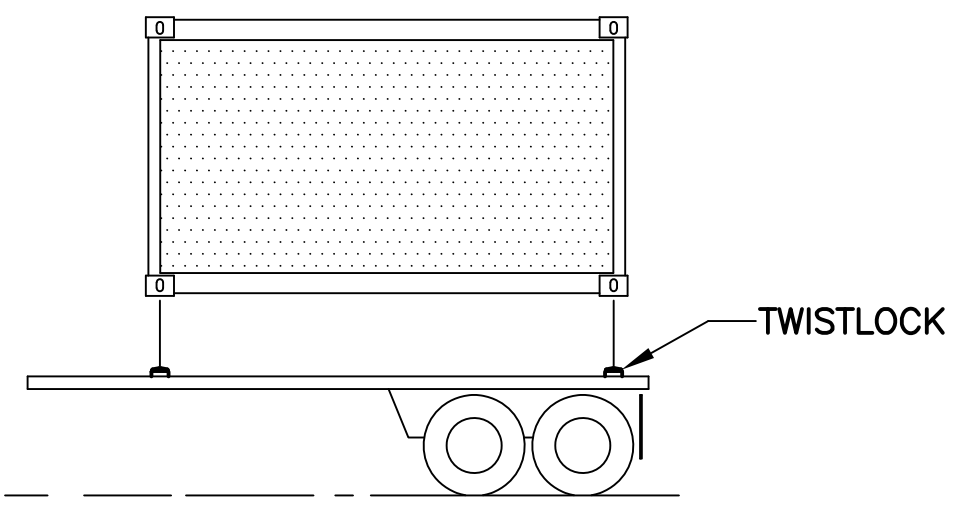
LOCKED POSITION POSITION



RETRACTED POSITION SHOWN

SPECIFICATIONS

- MATERIAL:**
STEEL
- STRENGTH:** (MINIMUM BREAK)
VERTICAL-47,000 LBS.
HORIZONTAL-90,000 LBS.
LONGITUDINAL-100,000 LBS.
- FINISH:**
SELF COLOR
- WEIGHT:**
5.0 KGS. (11.0 LBS.)



APPLICATION

F804-1-3
 TWISTLOCK
 (TRAILER-LOW PROFILE-RETRACTABLE)

Peck & Hale® PECK & HALE, L.L.C.
 180 DIVISION AVENUE
 WEST SAYVILLE, NY 11796
 USA
 Cargo Securing Systems and Solutions

THIS DRAWING AND ANY PRINT MADE THEREFROM IS THE EXCLUSIVE PROPERTY OF PECK & HALE. IT MUST NOT BE TRACED NOR REPRODUCED IN ANY MANNER NOR SHALL IT BE SUBMITTED TO OUTSIDE PARTIES FOR EXAMINATION WITHOUT OUR WRITTEN CONSENT. IT SHALL BE USED ONLY AS MEANS OF REFERENCE TO WORK DESIGNED OR FURNISHED BY US.

FSCM NO: 94658	DRN: S. JEFFREY	3502	A
DATE: 11/6/12	CHK:		
SCALE: NONE	APPD:	DWG. NO.	REV.

4

3

2

1