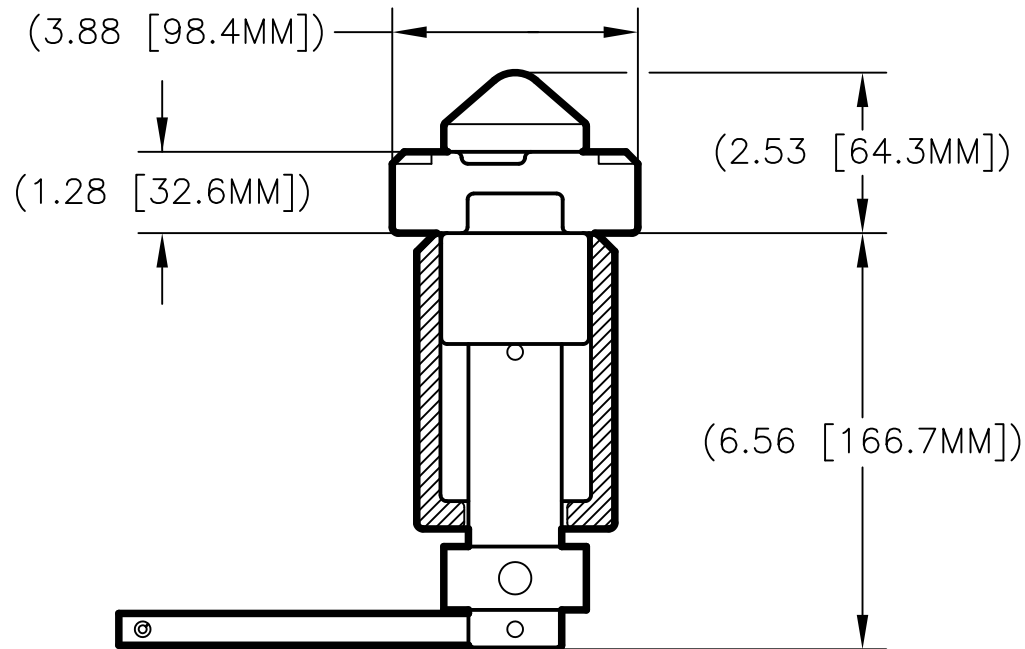
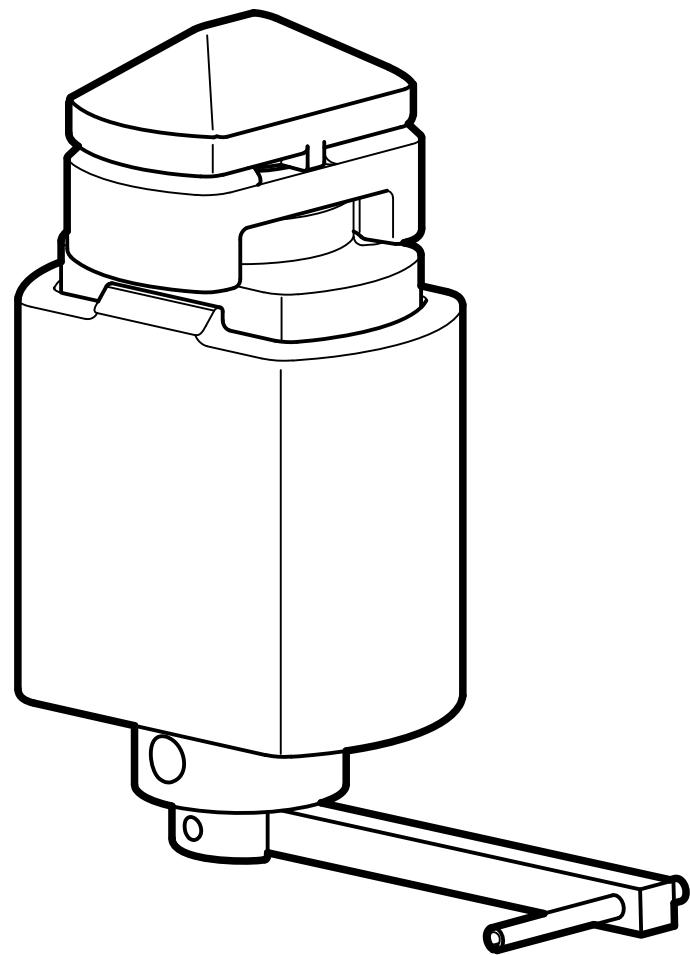


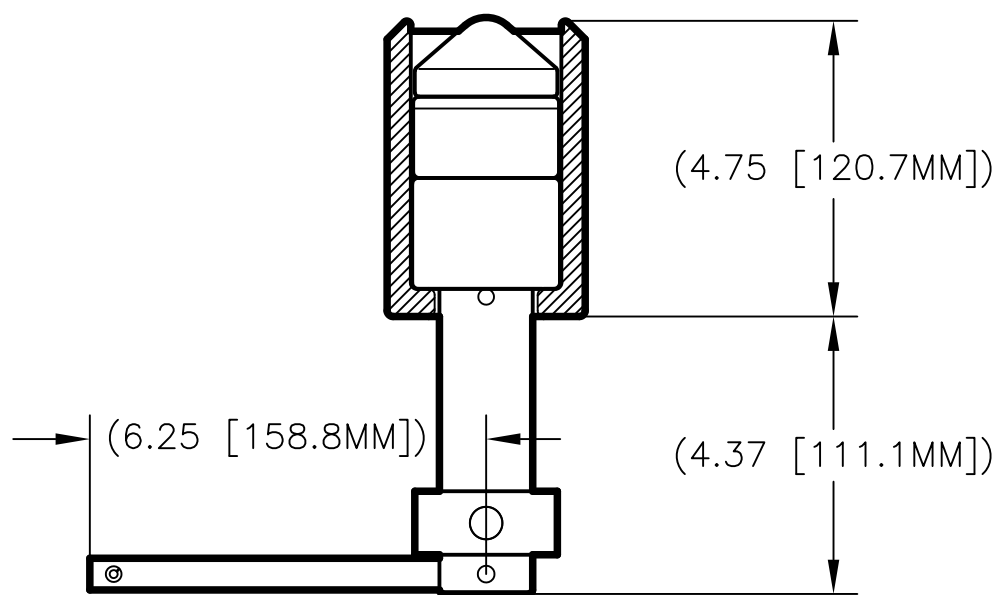
F804-2-1 TWISTLOCK

(TRAILER-FLUSH-RETRACTABLE)

DIMENSIONAL DATA
DIMENSIONS SHOWN IN INCHES AND [MILLIMETERS]
DIMENSIONS ARE REFERENCE ONLY



LOCKED POSITION POSITION



RETRACTED POSITION SHOWN

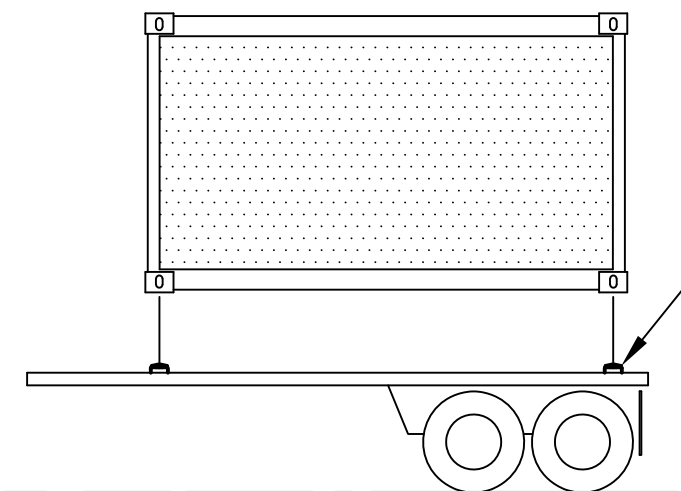
SPECIFICATIONS

MATERIAL:
STEEL

STRENGTH: (MINIMUM BREAK)
VERTICAL-47,000 LBS.
HORIZONTAL-90,000 LBS.
LONGITUDINAL-100,000 LBS.

FINISH:
SELF COLOR

WEIGHT:
7.5 KGS. (16.5 LBS.)



APPLICATION

TWISTLOCK

F804-2-1 TWISTLOCK

(TRAILER-FLUSH-RETRACTABLE)



PECK & HALE, L.L.C.
180 DIVISION AVENUE
WEST SAYVILLE, NY 11796
USA

THIS DRAWING AND ANY PRINT MADE THEREFROM IS THE EXCLUSIVE PROPERTY OF PECK & HALE. IT MUST NOT BE TRACED NOR REPRODUCED IN ANY MANNER NOR SHALL IT BE SUBMITTED TO OUTSIDE PARTIES FOR EXAMINATION WITHOUT OUR WRITTEN CONSENT. IT SHALL BE USED ONLY AS MEANS OF REFERENCE TO WORK DESIGNED OR FURNISHED BY US.

FSCM NO: 94658	DRN: S. JEFFREY	3503	A
DATE: 11/6/12	CHK:		
SCALE: NONE	APPD:	DWG. NO.	REV.