

E.W.O. 4169
E.W.O. 4472

PH2004-1 INTERBOX CONNECTOR (IBC) (TRACK-SIDE OPERATED)

SPECIFICATIONS

MATERIAL:
STEEL

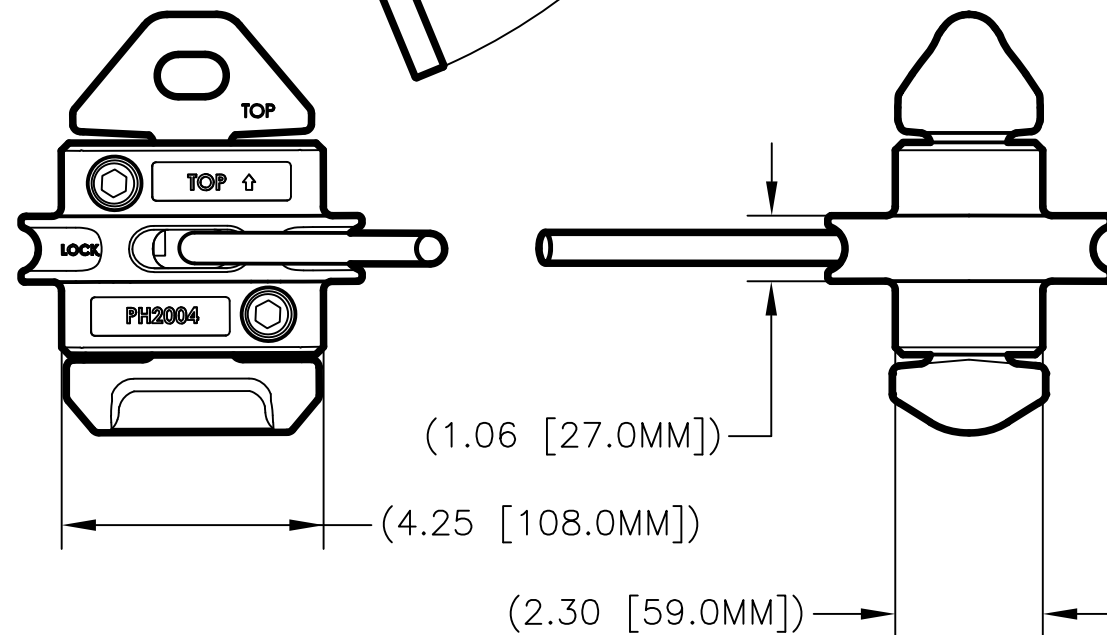
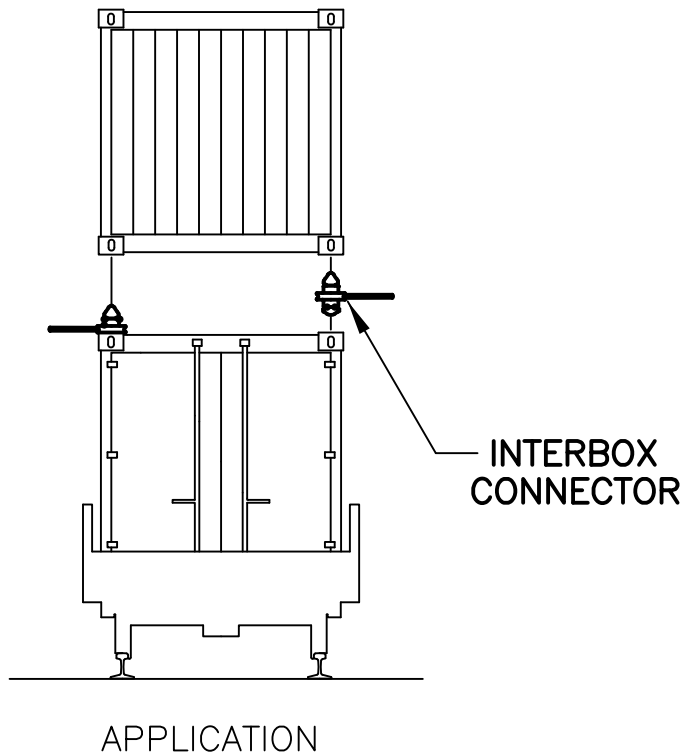
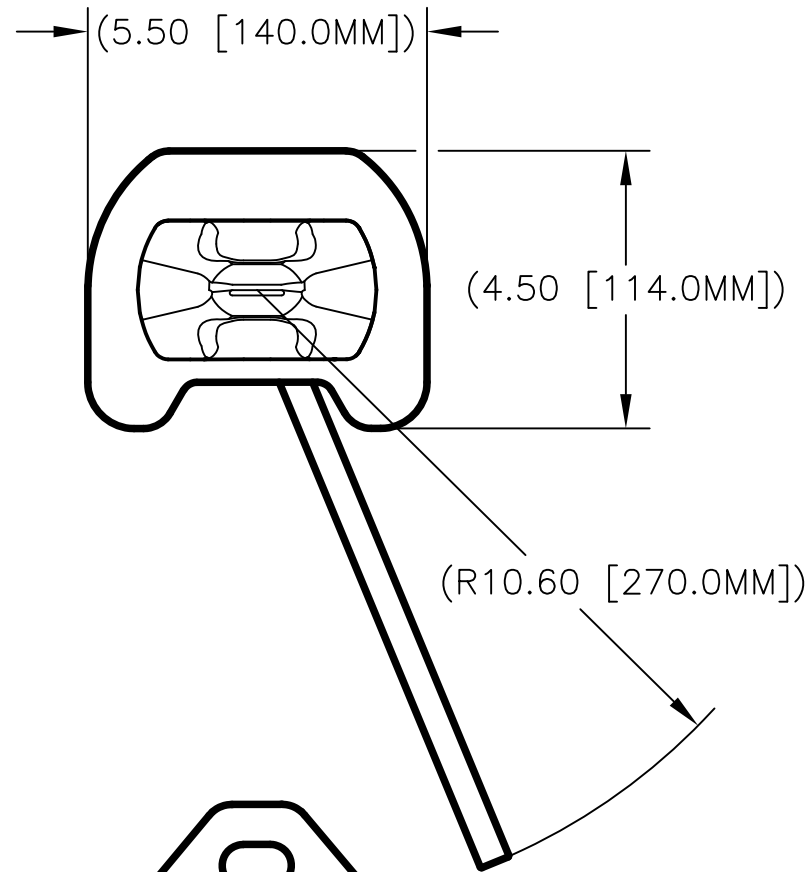
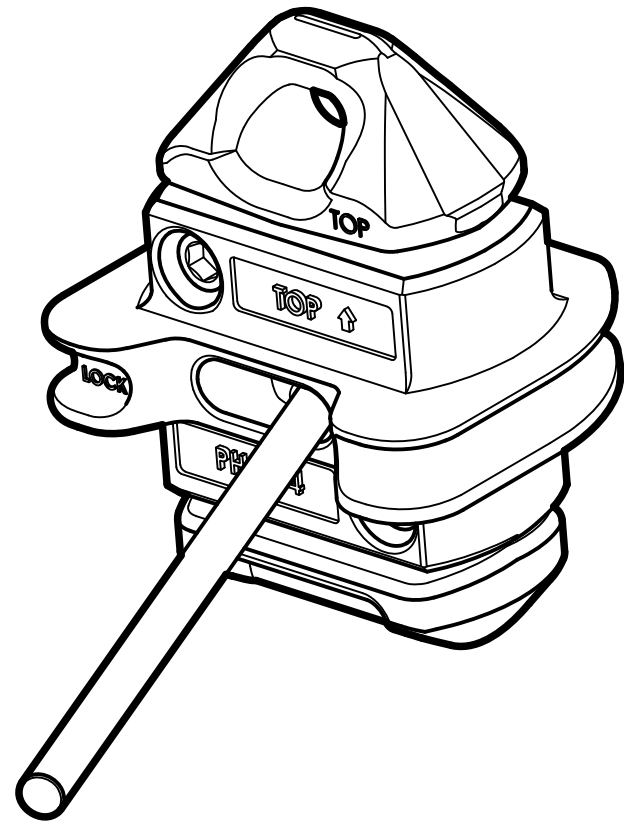
STRENGTH: (PROOF)
VERTICAL UPWARD-80,000 LBS.
VERTICAL DOWNWARD-40,000 LBS.
LONGITUDINAL-80,000 LBS.
LATERAL-20,000 LBS.
VERTICAL DOWNWARD LOAD OF 40,000 LBS.
COMBINED WITH LATERAL LOAD OF
20,000 LBS.
VERTICAL DOWNWARD LOAD OF 40,000 LBS.
COMBINED WITH LONGITUDINAL LOAD OF
80,000 LBS.

FINISH:
GALVANIZED

WEIGHT:
5.6 KGS. (12.3 LBS.)

CONFORMS WITH AAR M-998 AND MARKED
WITH 'AAR-99' RAISED CHARACTERS.
ARR APPROVED

DIMENSIONAL DATA
DIMENSIONS SHOWN IN INCHES AND [MILLIMETERS]
DIMENSIONS ARE REFERENCE ONLY



PH2004-1
INTERBOX CONNECTOR (IBC)
(TRACK-SIDE OPERATED)

Peck & Hale® PECK & HALE, L.L.C.
180 DIVISION AVENUE
WEST SAYVILLE, NY 11796
USA
Cargo Securing Systems and Solutions

THIS DRAWING AND ANY PRINT MADE THEREFROM IS THE EXCLUSIVE PROPERTY OF PECK & HALE. IT MUST NOT BE TRACED NOR REPRODUCED IN ANY MANNER NOR SHALL IT BE SUBMITTED TO OUTSIDE PARTIES FOR EXAMINATION WITHOUT OUR WRITTEN CONSENT. IT SHALL BE USED ONLY AS MEANS OF REFERENCE TO WORK DESIGNED OR FURNISHED BY US.

FSCM NO: 94658	DRN: J. ROYT	4772	A
DATE: 11/18/17	CHK: R. BELKIN		
SCALE: NONE	APPD: C. EFSTATHIOU	DWG. NO.	REV.