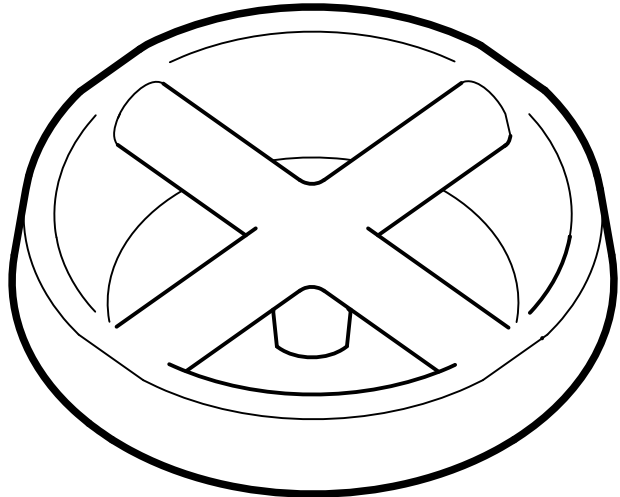
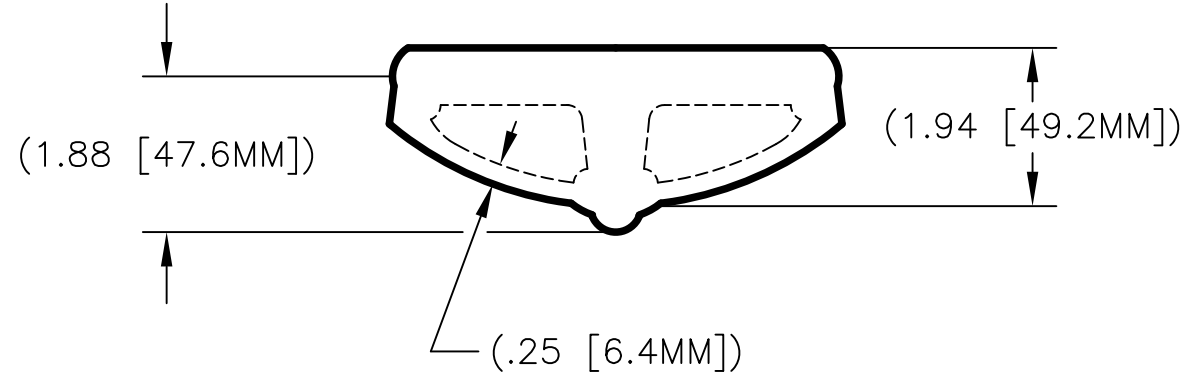
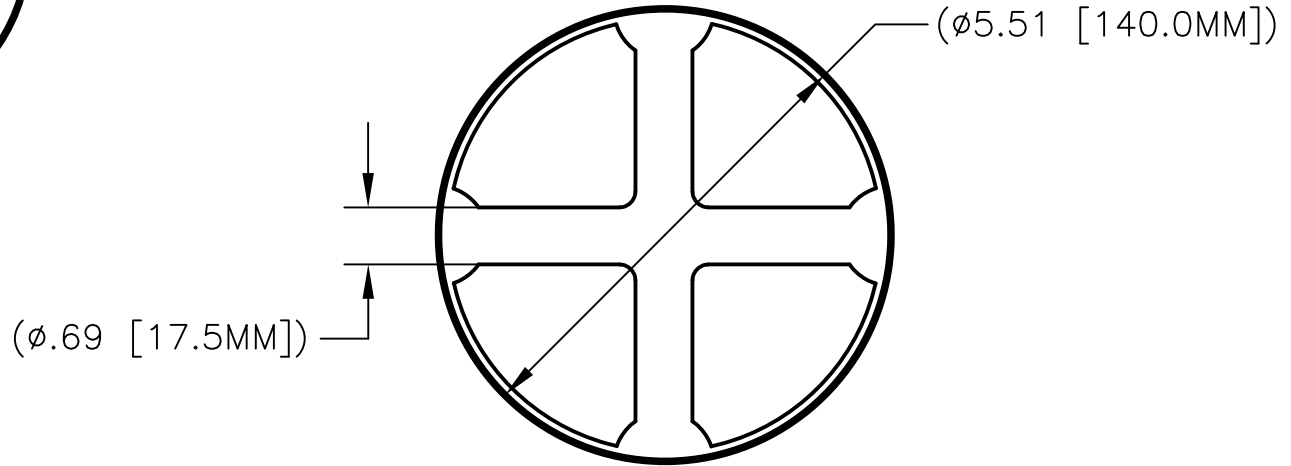


R.T.E. 1081

PH285N-1 SOCKET (CROSSBAR-FLUSH)



DIMENSIONAL DATA
DIMENSIONS SHOWN IN INCHES AND [MILLIMETERS]
DIMENSIONS ARE REFERENCE ONLY



SPECIFICATIONS

- MATERIAL:**
STEEL
- FINISH:**
PRIMER PAINT OR SELF COLOR
- WEIGHT:**
2.3 KGS. (5.0 LBS.)
- MATING FITTINGS:**
PH285-30A & PH4242-1 COVERS

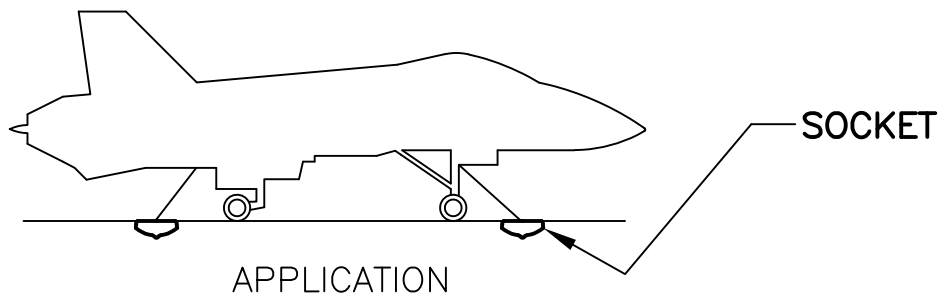
PH285N-1 SOCKET (CROSSBAR-FLUSH)



PECK & HALE, L.L.C.
180 DIVISION AVENUE
WEST SAYVILLE, NY 11796
USA

THIS DRAWING AND ANY PRINT MADE THEREFROM IS THE EXCLUSIVE PROPERTY OF PECK & HALE. IT MUST NOT BE TRACED NOR REPRODUCED IN ANY MANNER NOR SHALL IT BE SUBMITTED TO OUTSIDE PARTIES FOR EXAMINATION WITHOUT OUR WRITTEN CONSENT. IT SHALL BE USED ONLY AS MEANS OF REFERENCE TO WORK DESIGNED OR FURNISHED BY US.

FSCM NO: 94658	DRN: S. JEFFREY	3495	A
DATE: 9/28/16	CHK:		
SCALE: NONE	APPD:		
		DWG. NO.	REV.



APPLICATION