

E.W.O. 3674

PH3977-1 BITT FITTING (BREECH BASE)

DIMENSIONAL DATA
DIMENSIONS SHOWN IN INCHES AND [MILLIMETERS]
DIMENSIONS ARE REFERENCE ONLY

SPECIFICATIONS

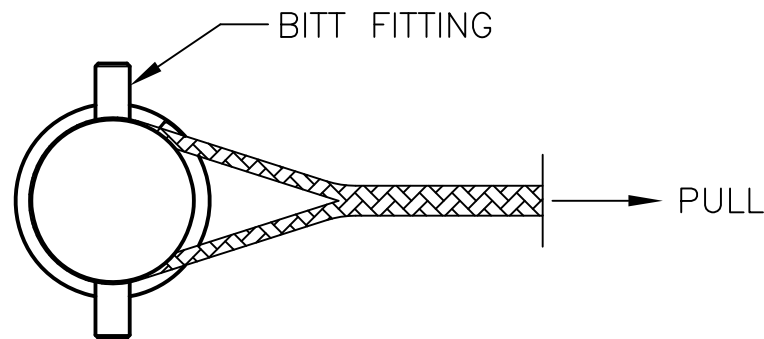
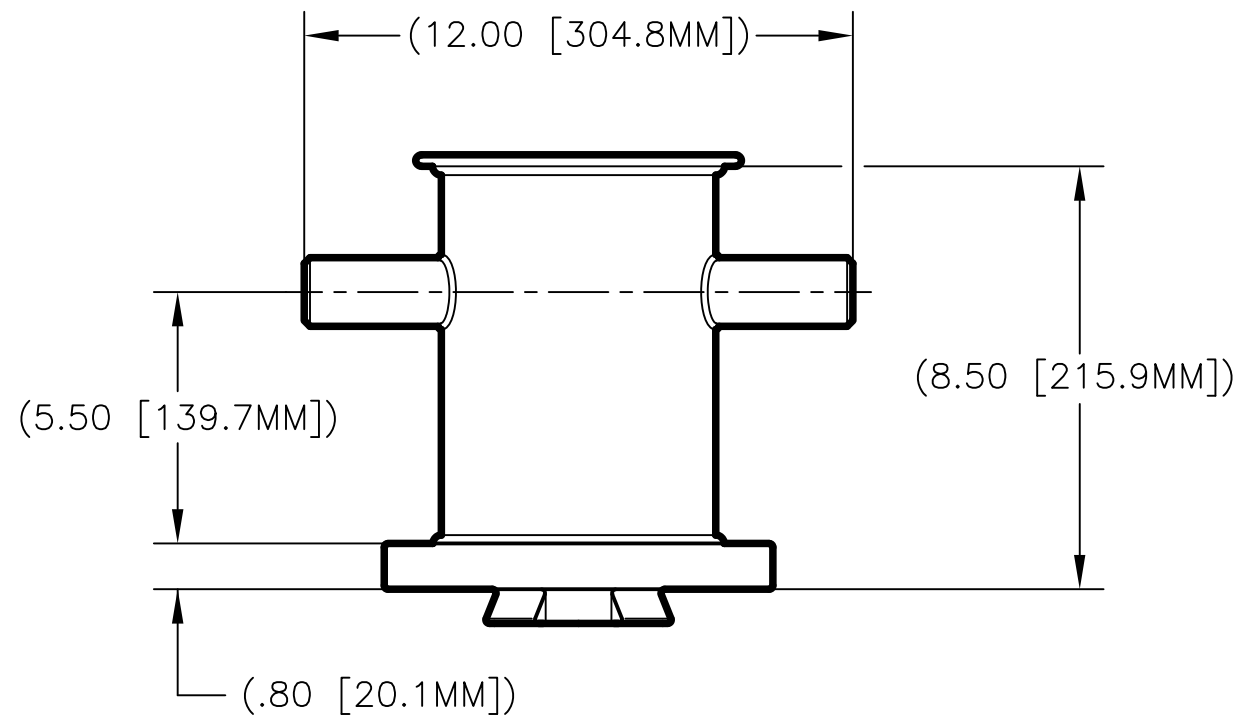
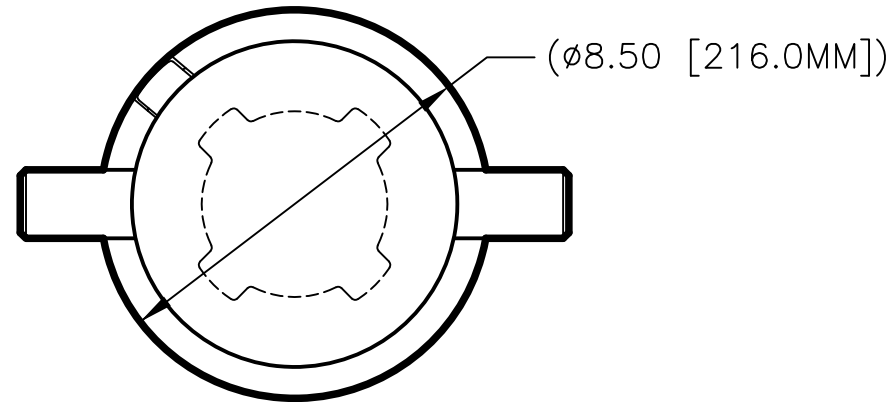
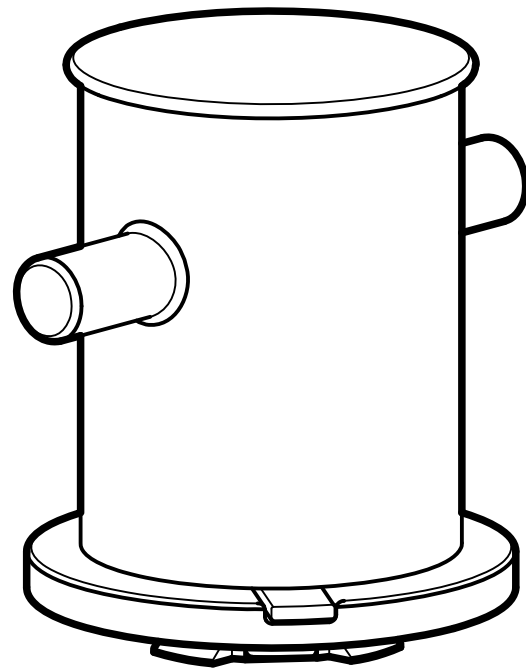
MATERIAL:
STEEL

STRENGTH: (HORIZONTAL TO DECK)
SAFE WORKING-4,500 LBS.
PROOF-9,000 LBS.
MINIMUM BREAK-18,000 LBS.

FINISH:
POWDER COAT (COLOR-YELLOW)

WEIGHT:
15.2 KGS. (33.5 LBS.)

MATING FITTINGS:
F655 & F700 SOCKETS



HORIZONTAL TO THE DECK
APPLICATION

SALES DRAWING

PH3977-1 BITT FITTING (BREECH BASE)

Peck & Hale[®]
Cargo Securing Systems and Solutions

PECK & HALE, L.L.C.
180 DIVISION AVENUE
WEST SAYVILLE, NY 11796
USA

THIS DRAWING AND ANY PRINT MADE THEREFROM IS THE EXCLUSIVE PROPERTY OF PECK & HALE. IT MUST NOT BE TRACED NOR REPRODUCED IN ANY MANNER NOR SHALL IT BE SUBMITTED TO OUTSIDE PARTIES FOR EXAMINATION WITHOUT OUR WRITTEN CONSENT. IT SHALL BE USED ONLY AS MEANS OF REFERENCE TO WORK DESIGNED OR FURNISHED BY US.

FSCM NO: 94658	DRN: S. JEFFREY	4822	A
DATE: 12/11/12	CHK: J. NAIR		
SCALE: NONE	APPD: J. NAIR	DWG. NO.	REV.