

E.W.O. 3694

PH3983-1B SOCKET (CLOVERLEAF-RAISED)

DIMENSIONAL DATA
DIMENSIONS SHOWN IN INCHES AND [MILLIMETERS]
DIMENSIONS ARE REFERENCE ONLY

SPECIFICATIONS

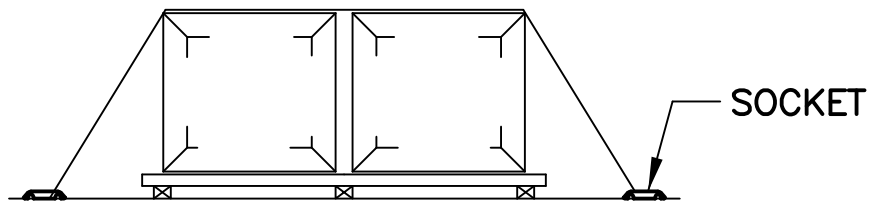
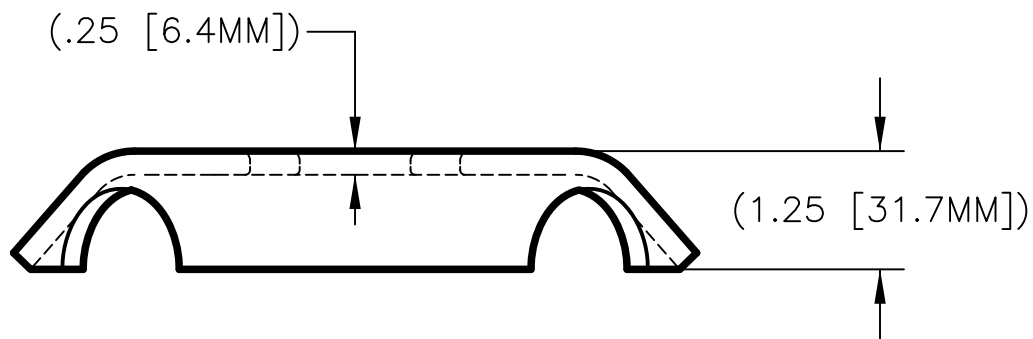
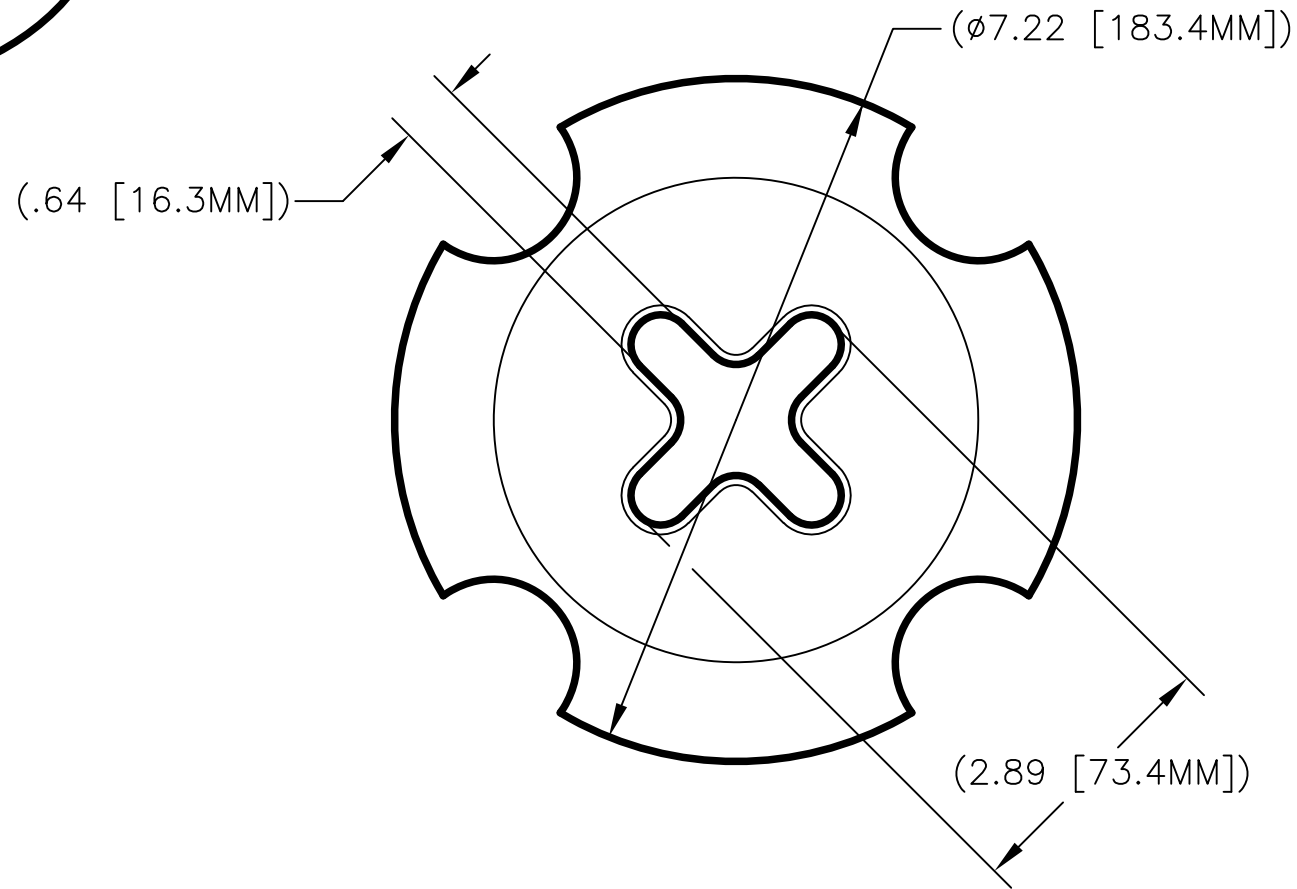
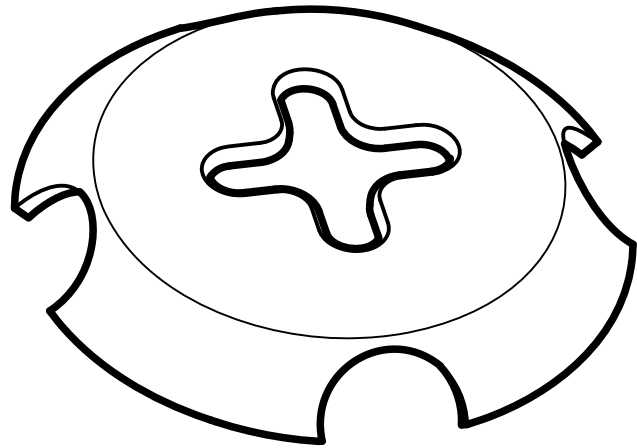
MATERIAL:
STEEL (ABS AH36)

STRENGTH: (PULL AT 45°)
SAFE WORKING-1,000 LBS.
PROOF-1,100 LBS.
MINIMUM BREAK-4,000 LBS.

FINISH:
PRIMER PAINT

WEIGHT:
1.1 KGS. (2.4 LBS.)

MATING FITTINGS:
PH3984-10-PG COVER
H339-1-1 BULB HOOK



APPLICATION

PH3983-1B SOCKET (CLOVERLEAF-RAISED)



PECK & HALE, L.L.C.
180 DIVISION AVENUE
WEST SAYVILLE, NY 11796
USA

THIS DRAWING AND ANY PRINT MADE THEREFROM IS THE EXCLUSIVE PROPERTY OF PECK & HALE. IT MUST NOT BE TRACED NOR REPRODUCED IN ANY MANNER NOR SHALL IT BE SUBMITTED TO OUTSIDE PARTIES FOR EXAMINATION WITHOUT OUR WRITTEN CONSENT. IT SHALL BE USED ONLY AS MEANS OF REFERENCE TO WORK DESIGNED OR FURNISHED BY US.

FSCM NO: 94658	DRN: S. JEFFREY	4832	A
DATE: 12/11/12	CHK: L. MESZAROS		
SCALE: NONE	APPD: L. MESZAROS	DWG. NO.	REV.