

E.W.O. 3933
E.W.O. 4086

PH4243-1 COVER (PH285-14 SOCKET)

DIMENSIONAL DATA
DIMENSIONS SHOWN IN INCHES AND [MILLIMETERS]
DIMENSIONS ARE REFERENCE ONLY

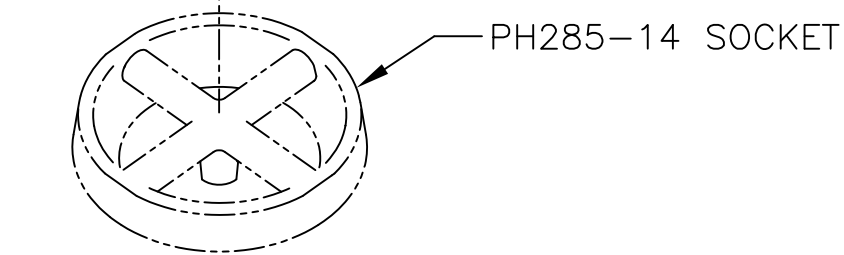
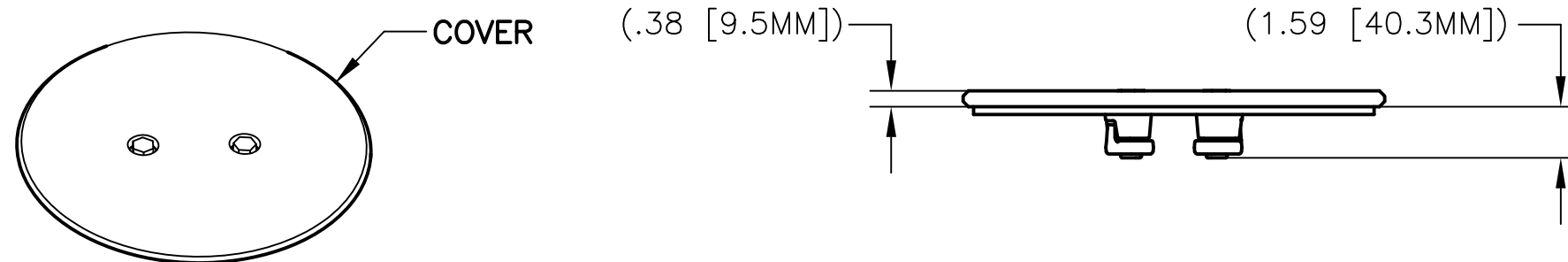
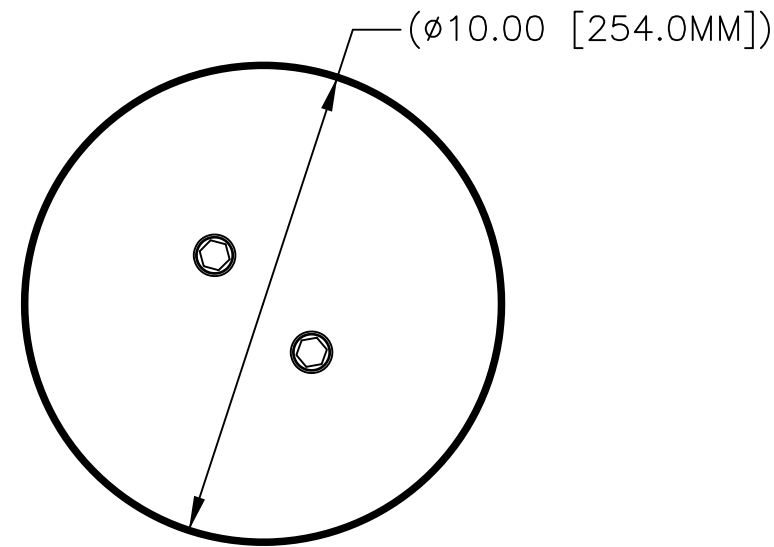
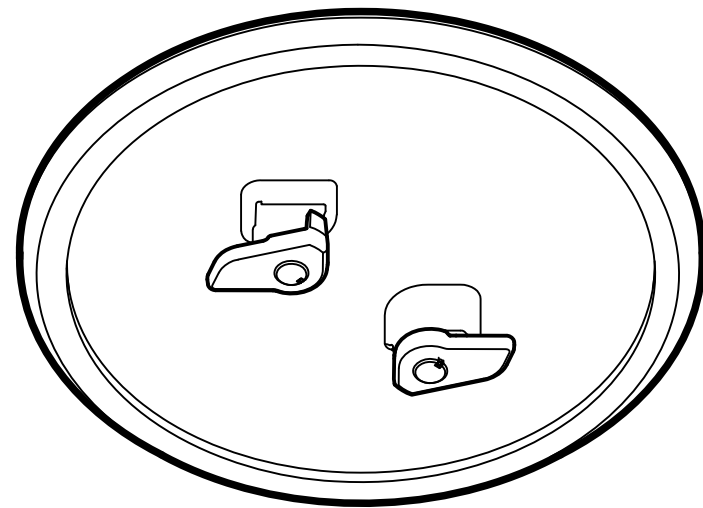
SPECIFICATIONS

MATERIAL:
ALUMINUM/STAINLESS STEEL

FINISH:
PAINTED (COLOR-YELLOW)

WEIGHT:
1.5 KGS. (3.2 LBS.)

MATING FITTINGS:
PH285-14 SOCKET



APPLICATION

PH4243-1
COVER
(PH285-14 SOCKET)

Peck & Hale® PECK & HALE, L.L.C.
180 DIVISION AVENUE
WEST SAYVILLE, NY 11796
USA

THIS DRAWING AND ANY PRINT MADE THEREFROM IS THE EXCLUSIVE PROPERTY OF PECK & HALE. IT MUST NOT BE TRACED NOR REPRODUCED IN ANY MANNER NOR SHALL IT BE SUBMITTED TO OUTSIDE PARTIES FOR EXAMINATION WITHOUT OUR WRITTEN CONSENT. IT SHALL BE USED ONLY AS MEANS OF REFERENCE TO WORK DESIGNED OR FURNISHED BY US.

FSCM NO: 94658	DRN: R. BELKIN	5165	A
DATE: 2/25/15	CHK:		
SCALE: NONE	APPD:	DWG. NO.	REV.