

E.W.O. 3840

# RR19-50-4500 RIGID ROD (SWIVEL HEAD)

DIMENSIONAL DATA  
DIMENSIONS SHOWN IN INCHES AND [MILLIMETERS]  
DIMENSIONS ARE REFERENCE ONLY

## SPECIFICATIONS

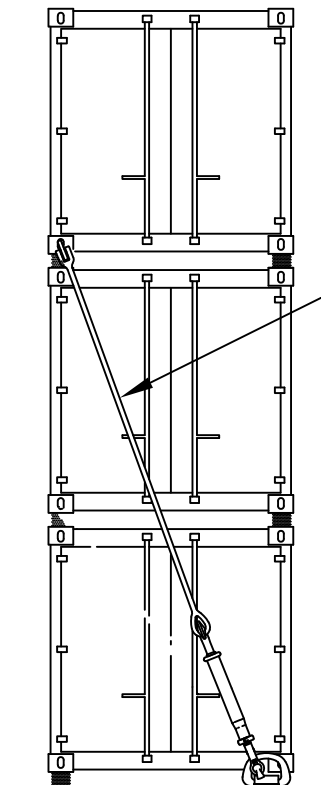
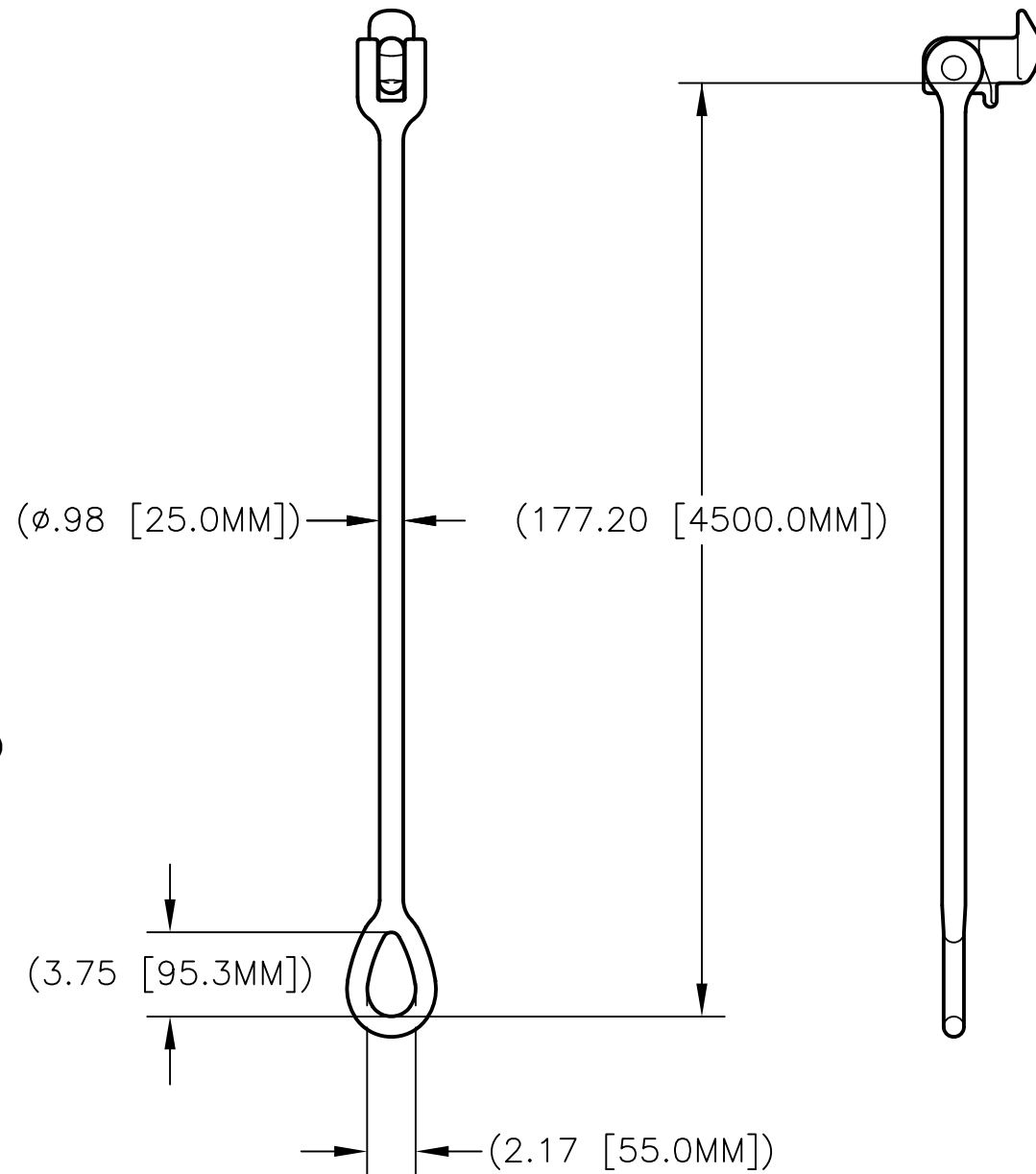
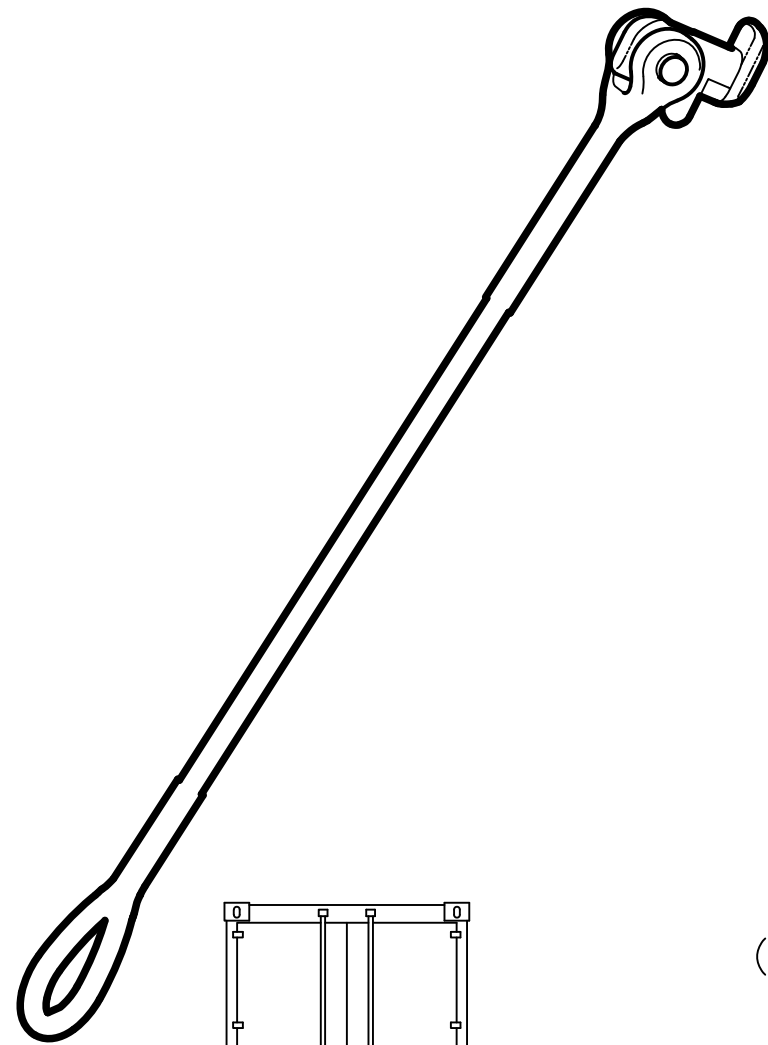
**MATERIAL:**  
STEEL

**STRENGTH:**  
SAFE WORKING-25 TONNES  
PROOF-33.3 TONNES  
MINIMUM BREAK-50 TONNES

**FINISH:**  
GALVANIZED

**WEIGHT:**  
19.8 KGS. (43.5 LBS.)

**MATING FITTINGS:**  
TB108 & TB308 TURNBUCKLES



APPLICATION

# RR19-50-4500 RIGID ROD (SWIVEL HEAD)



PECK & HALE, L.L.C.  
180 DIVISION AVENUE  
WEST SAYVILLE, NY 11796  
USA

THIS DRAWING AND ANY PRINT MADE THEREFROM IS THE EXCLUSIVE PROPERTY OF PECK & HALE. IT MUST NOT BE TRACED NOR REPRODUCED IN ANY MANNER NOR SHALL IT BE SUBMITTED TO OUTSIDE PARTIES FOR EXAMINATION WITHOUT OUR WRITTEN CONSENT. IT SHALL BE USED ONLY AS MEANS OF REFERENCE TO WORK DESIGNED OR FURNISHED BY US.

FSCM NO: 94658	DRN: S. JEFFREY	3486	A
DATE: 11/6/12	CHK:		
SCALE: NONE	APPD:	DWG. NO.	REV.